

GREEN-QUBE 2030

GQ2030

2MX 3M X 2M



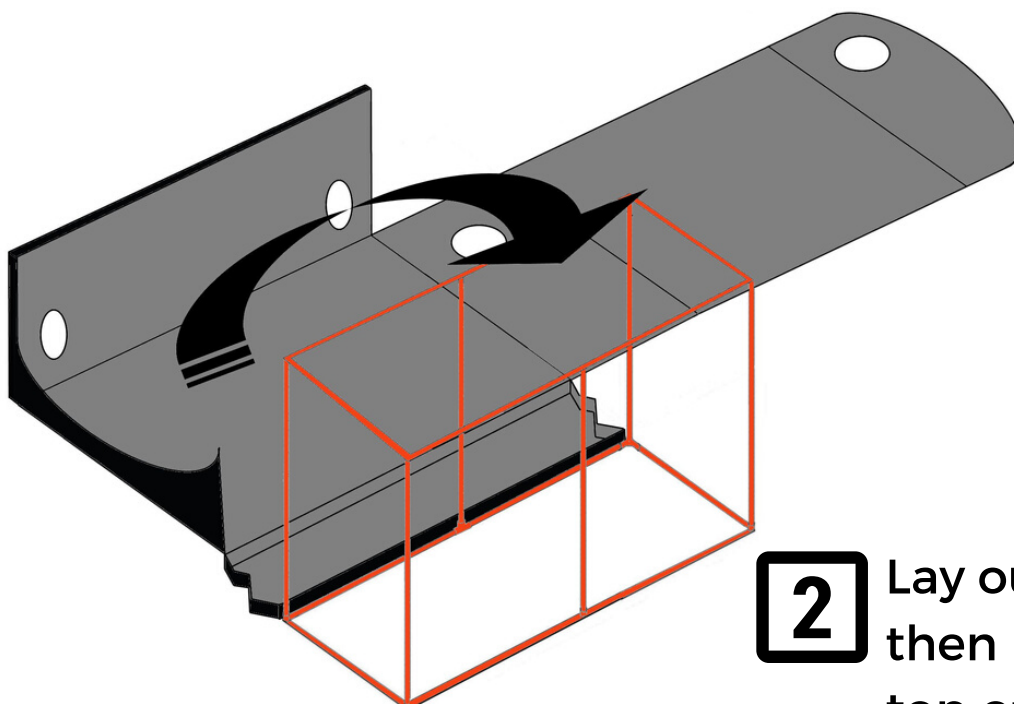
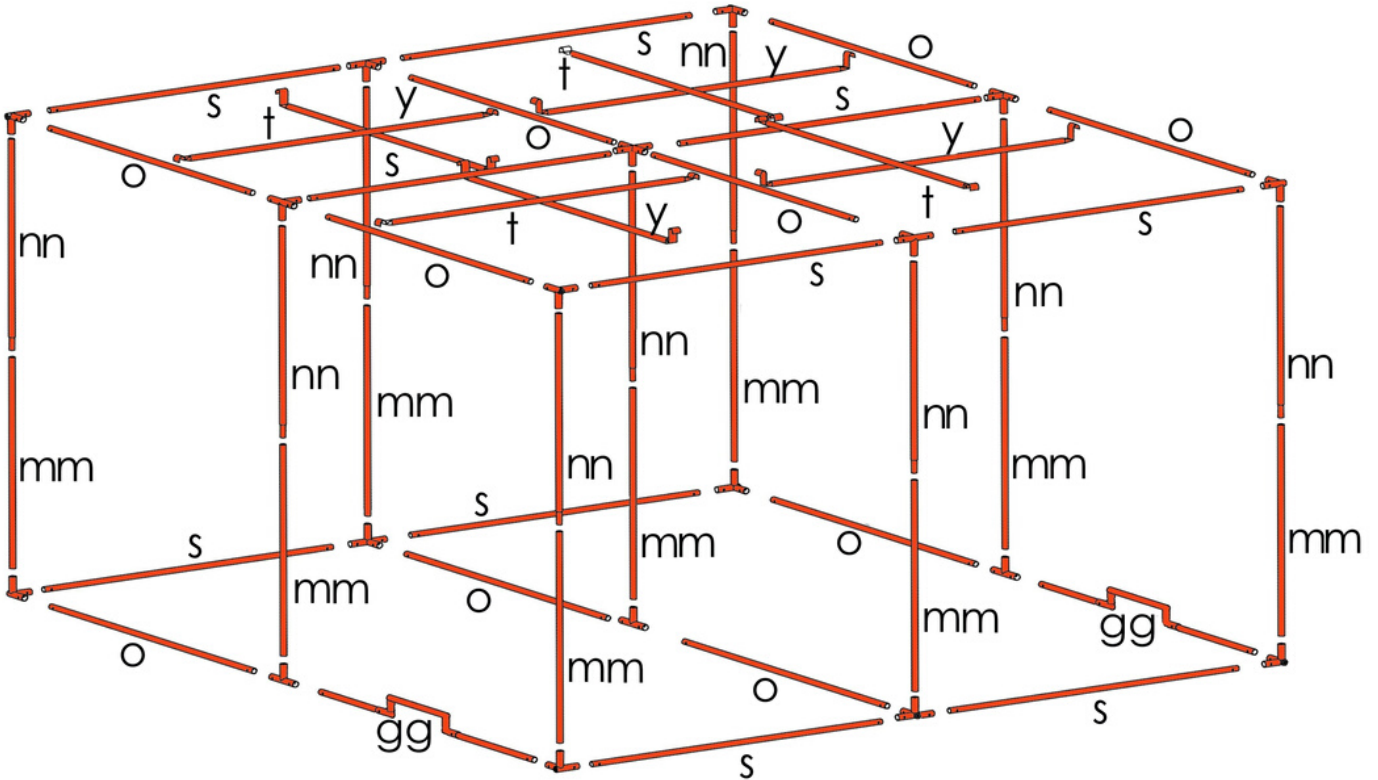
ASSEMBLY INSTRUCTIONS



WWW.GREEN-QUBE.COM

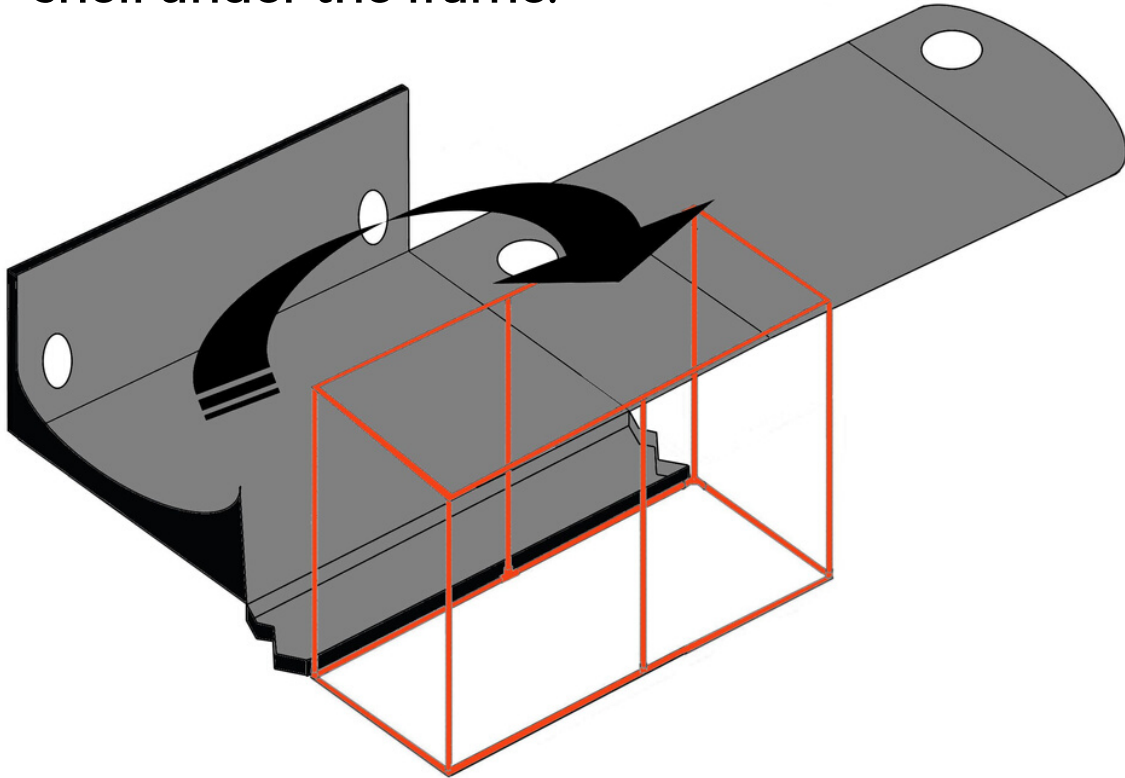
ASSEMBLY INSTRUCTIONS FOR GREEN-QUBE 2030

1 Assemble frame using the letters on each pole.

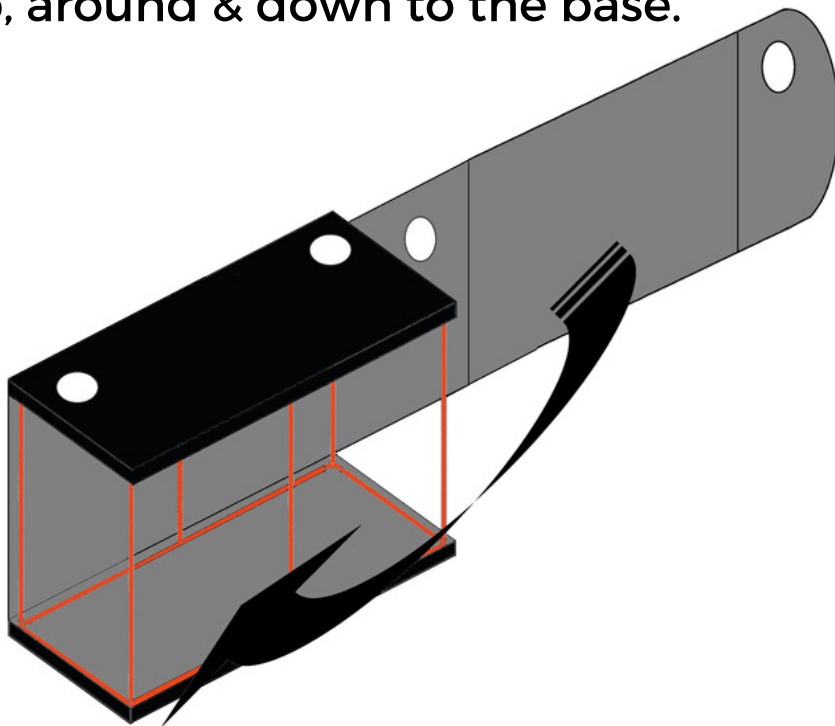


2 Lay outer shell flat, then lift & slide the top of the frame.

- 3** Slide the base (floor) of the outer shell under the frame.



- 4** Wrap outer shell around frame, zipping from the top, around & down to the base.



- 5** Insert the spill tray and secure with velcro ties.
And don't forget to insert the metal pins into the LightSaver® vents - see back cover for more info.

GREEN-QUBE 2030

2M X 3M X 2M

GQ2030

THE KIT

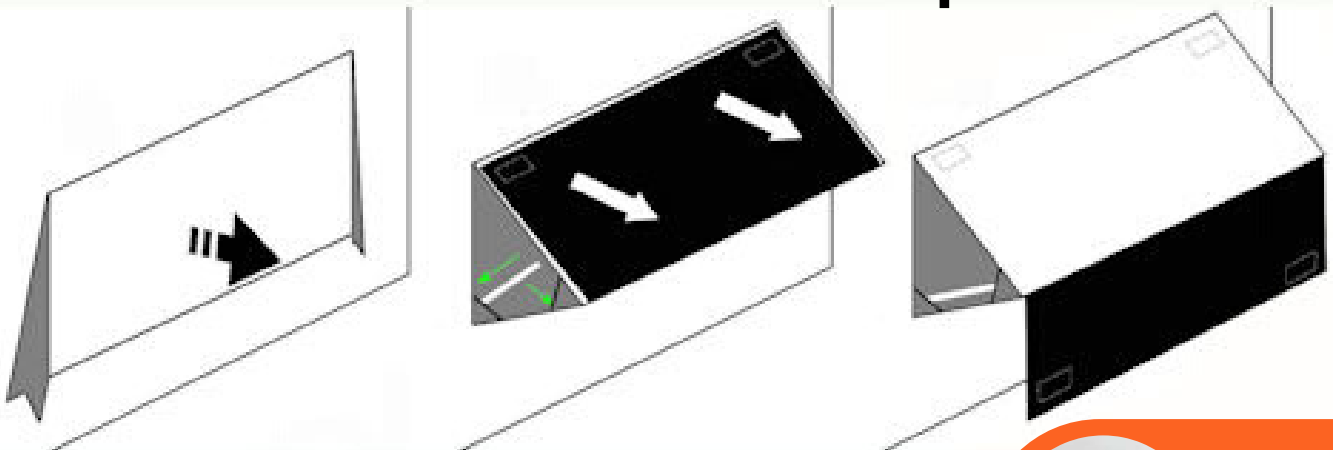
COMPONENT	QTY
GG Uplift Bars	2
MM Poles	9
NN Poles	9
O Poles	10
S Poles	10
T Hanging Bars	4

COMPONENT	QTY
Y Hanging Bars	4
T Connectors	3
Corners [3-way]	8
4 Way Connectors	6
5 Way Connectors	1
Spill Tray	2

THE LIGHTSAVER®

Decrease the amount of light glare into your room and increase your tent's invisibility with the LightSaver®.

Here's how to set it up:



**METAL
PINS**



WWW.GREEN-QUBE.COM

