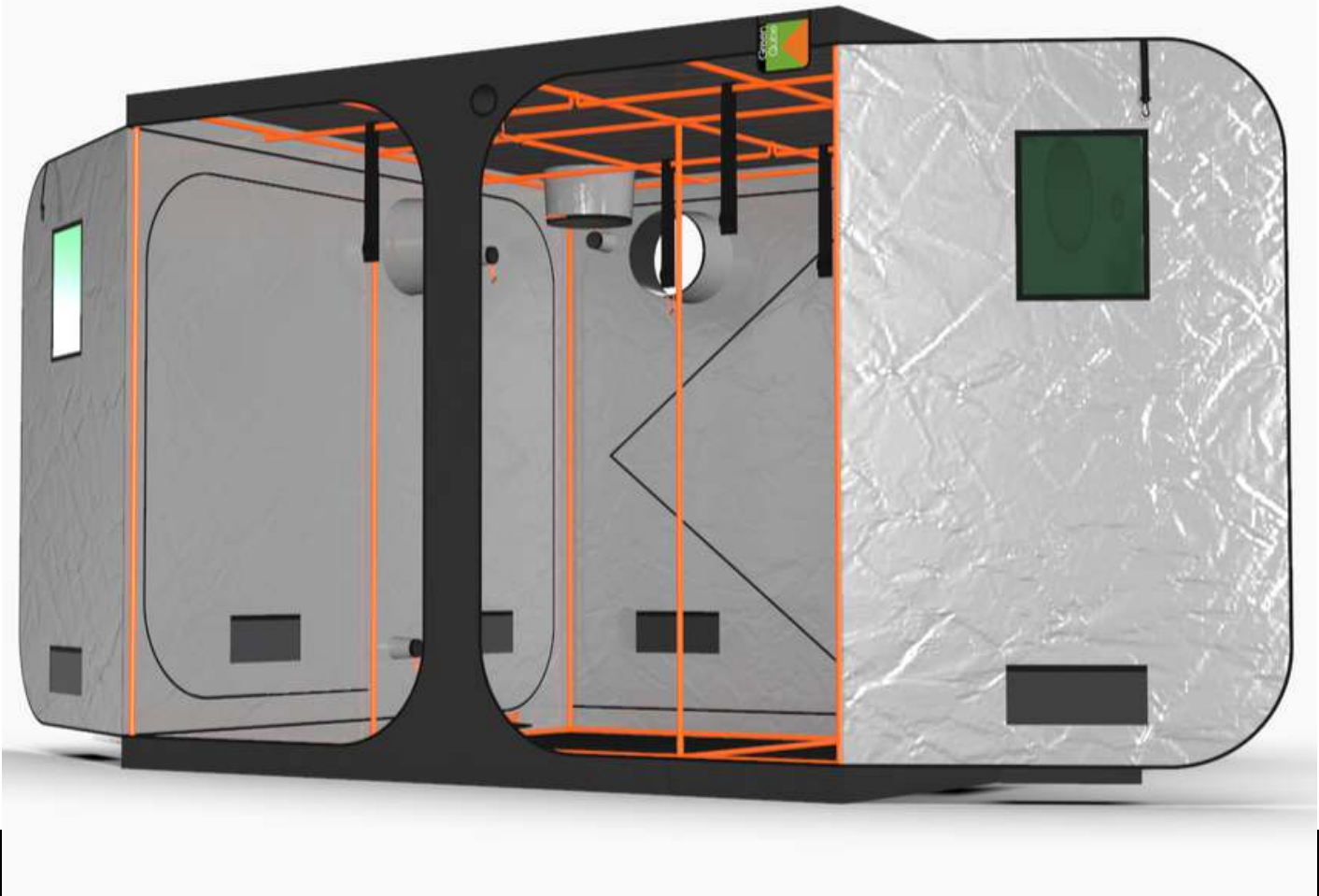


GREEN-QUBE 240L

GQ240L

2.4M X 2.4M X 2.2M



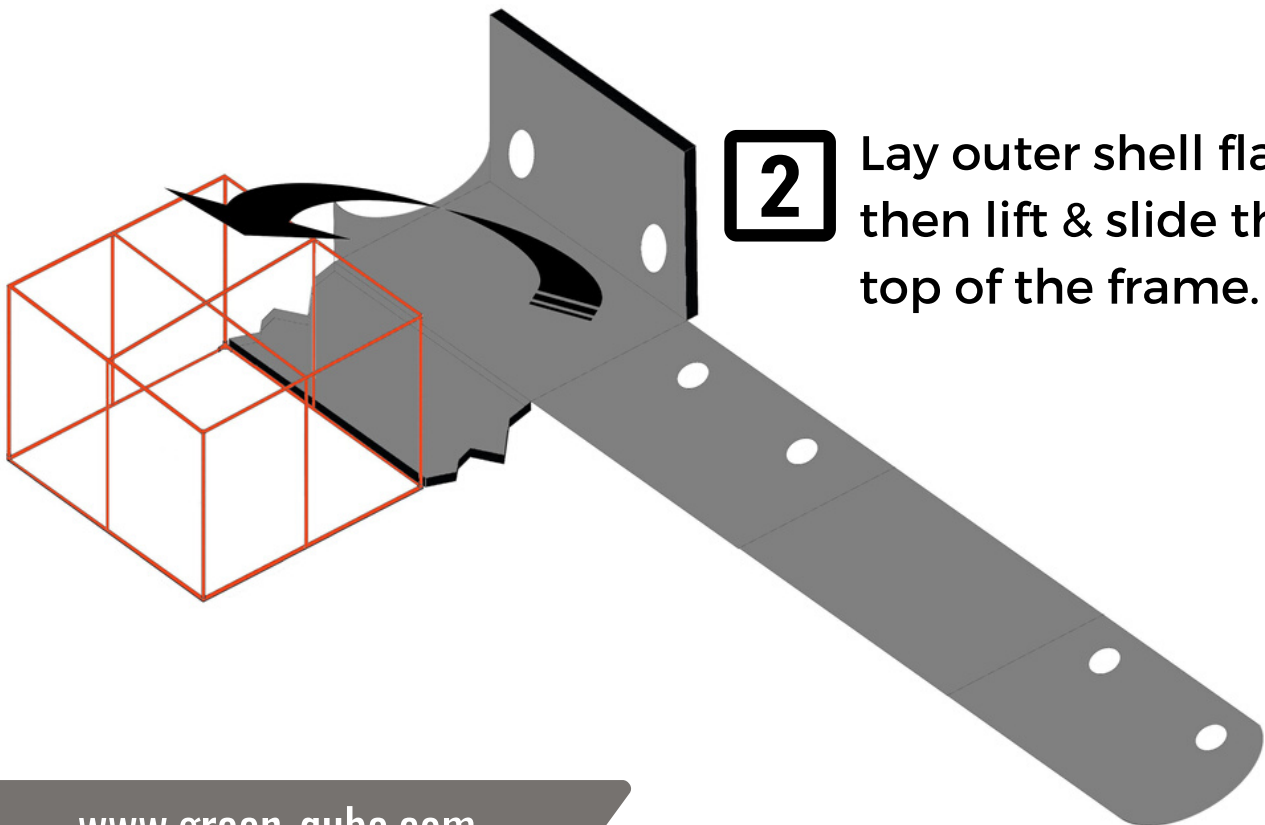
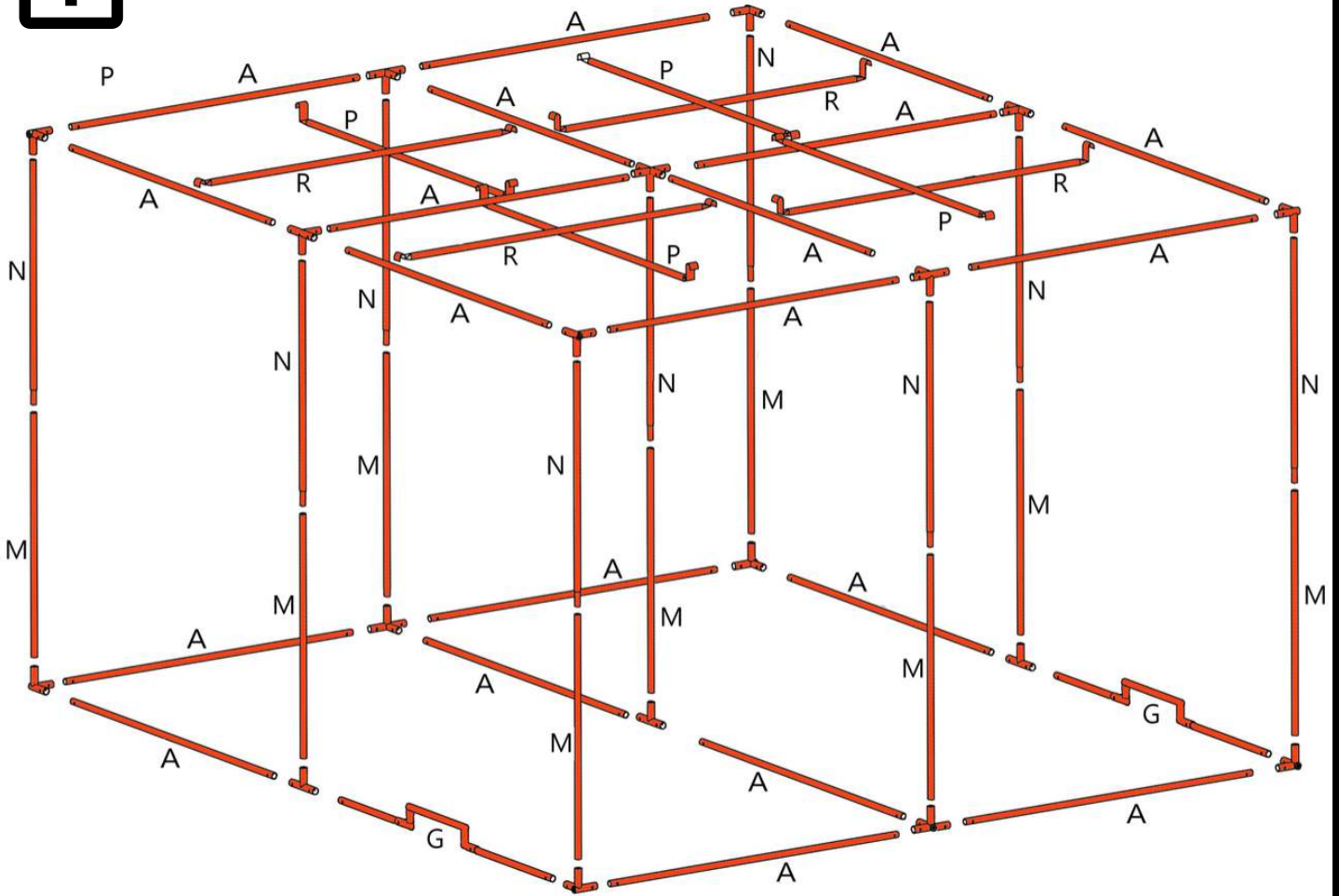
ASSEMBLY INSTRUCTIONS



WWW.GREEN-QUBE.COM

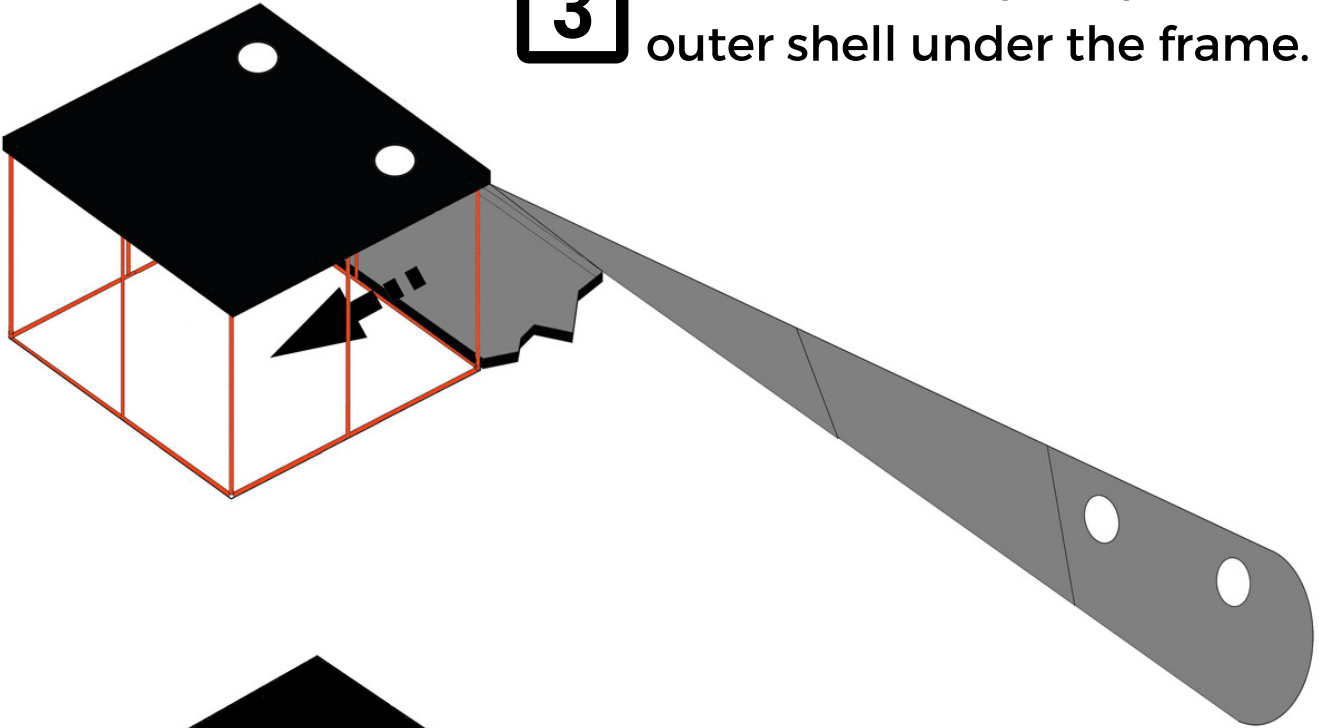
ASSEMBLY INSTRUCTIONS FOR GREEN-QUBE 240L

1 Assemble frame using the letters on each pole.

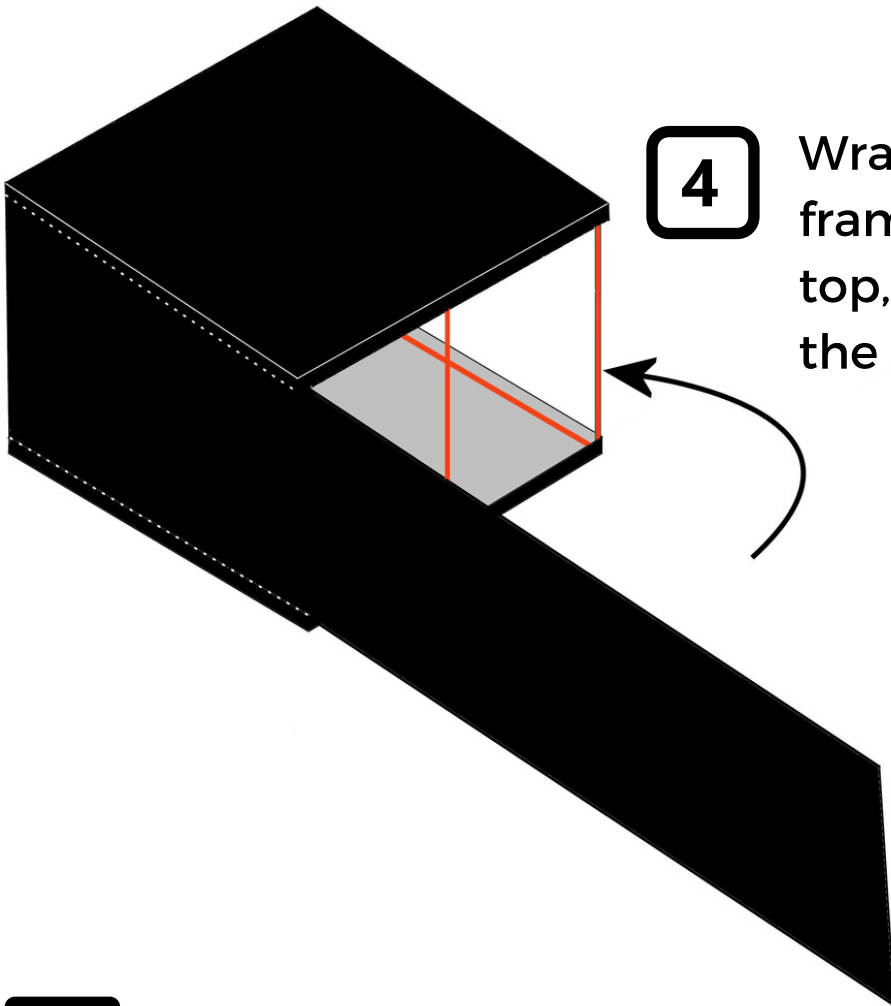


2 Lay outer shell flat, then lift & slide the top of the frame.

3 Slide the base (floor) of the outer shell under the frame.



4 Wrap outer shell around frame, zipping from the top, around & down to the base.



5 Insert the spill tray and secure with velcro ties.

And don't forget to insert the metal pins into the LightSaver® vents - see back cover for more info.

GQ240L

GREEN-QUBE 240L

2.4M X 2.4M X 2.2M

THE KIT

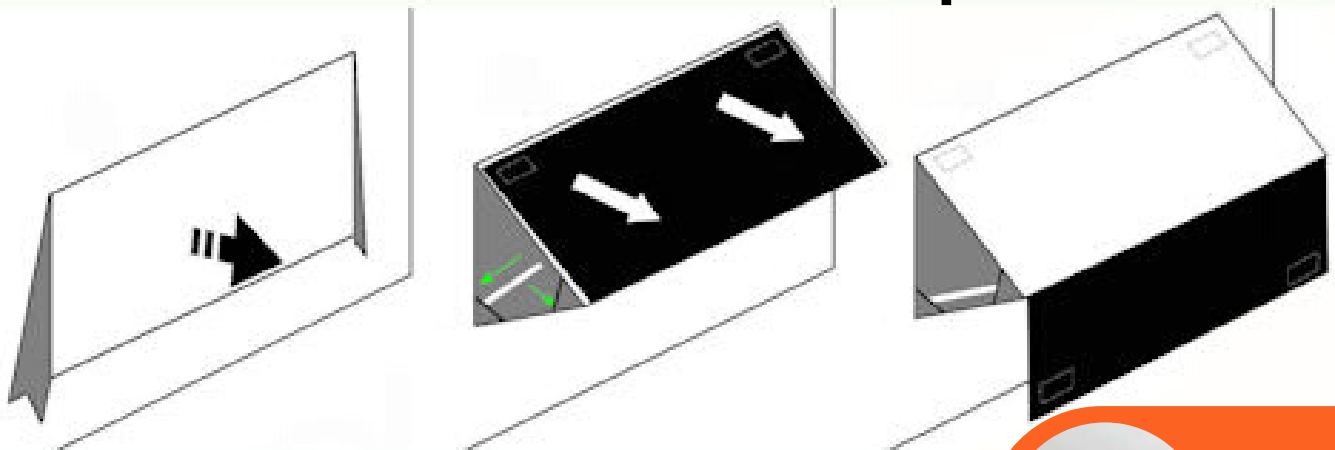
COMPONENT	QTY
A Poles	20
G Uplift Poles	2
M Poles	9
N Poles	9
P Hanging Poles	4
R Hanging Bars	4

COMPONENT	QTY
T Connectors	3
Corners [3-way]	8
4 Way Connectors	6
5 Way Connectors	1
Outer Shell	1
Spill Trays	2

THE LIGHTSAVER®

Decrease the amount of light glare into your room and increase your tent's invisibility with the LightSaver®.

Here's how to set it up:



METAL PINS



WWW.GREEN-QUBE.COM

