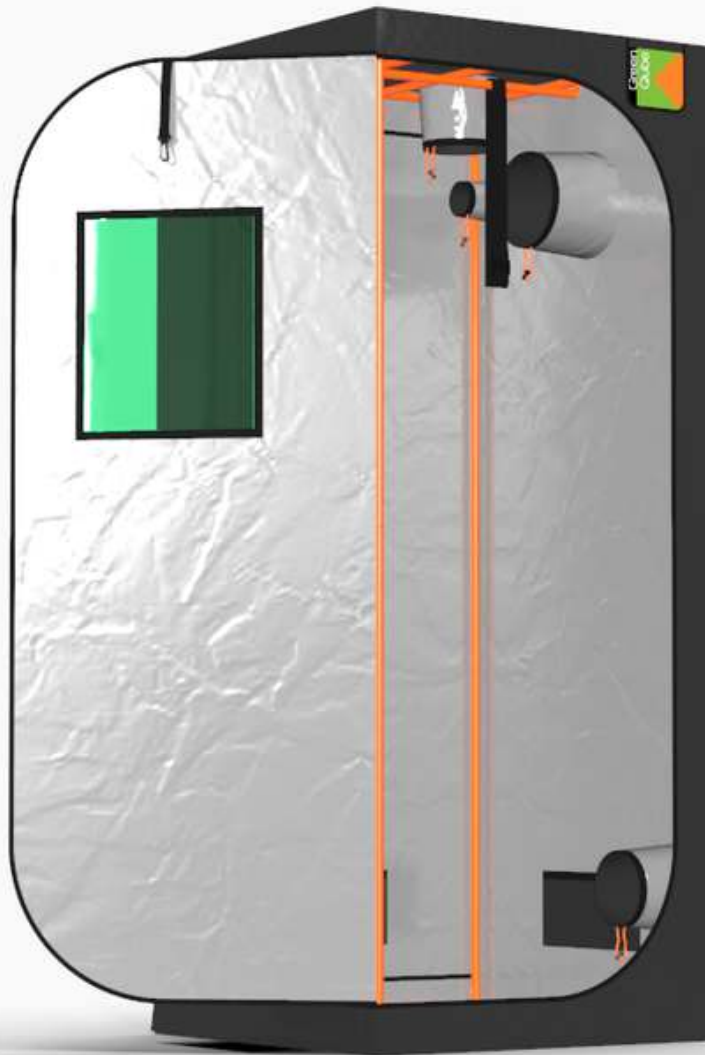


GREEN-QUBE 80

GQ80

0.8M X 0.8M X 1.8M



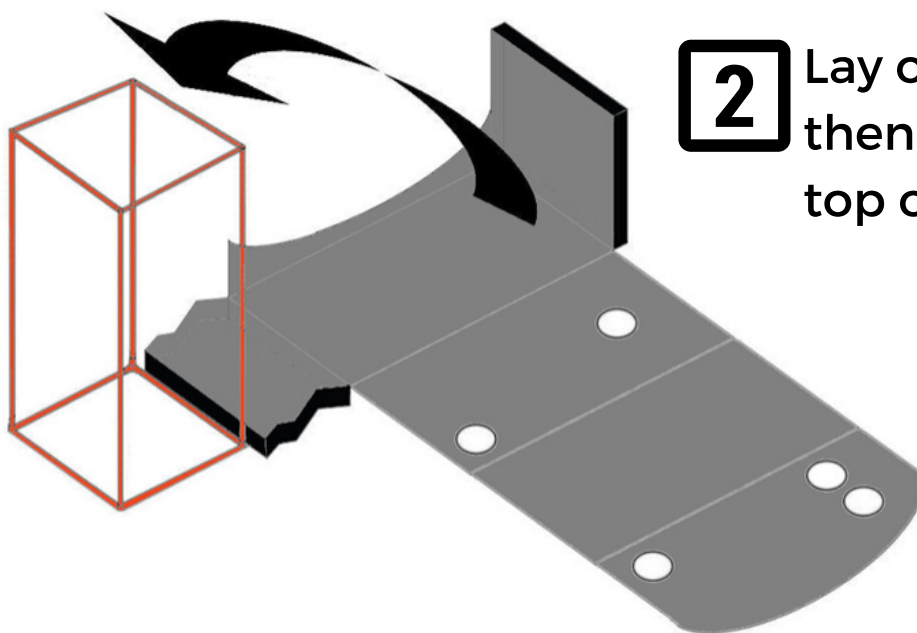
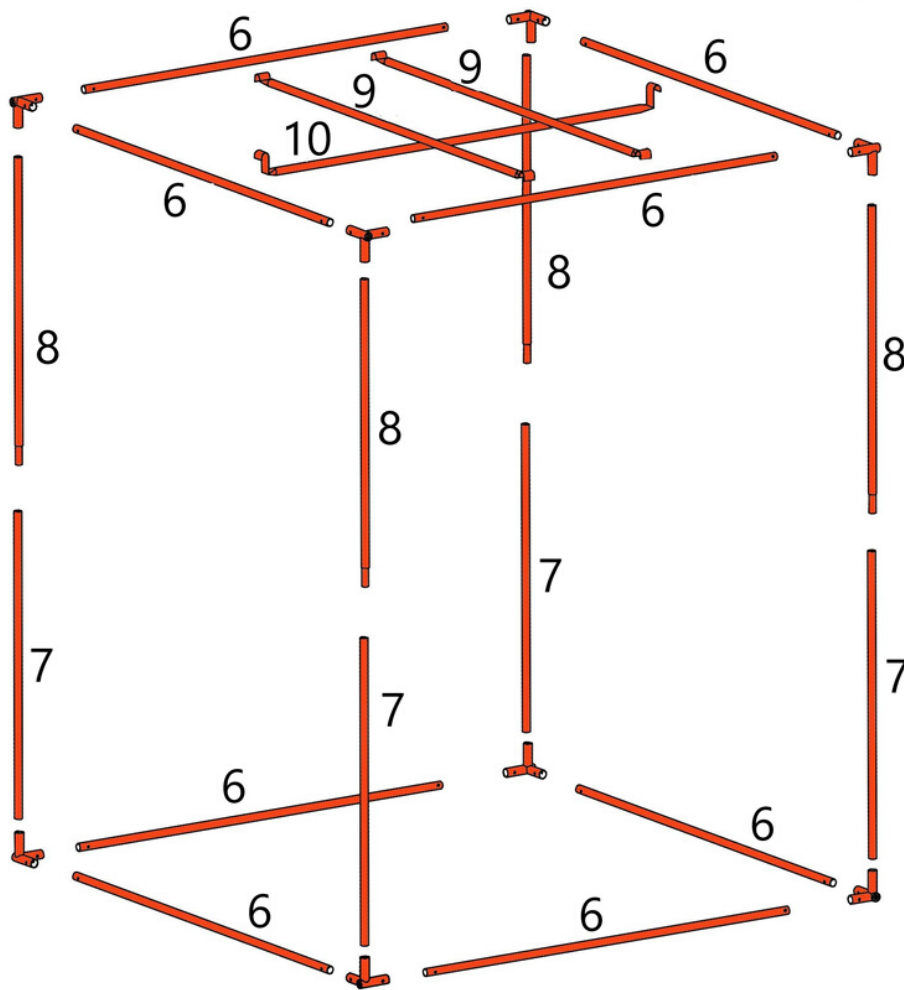
ASSEMBLY INSTRUCTIONS



WWW.GREEN-QUBE.COM

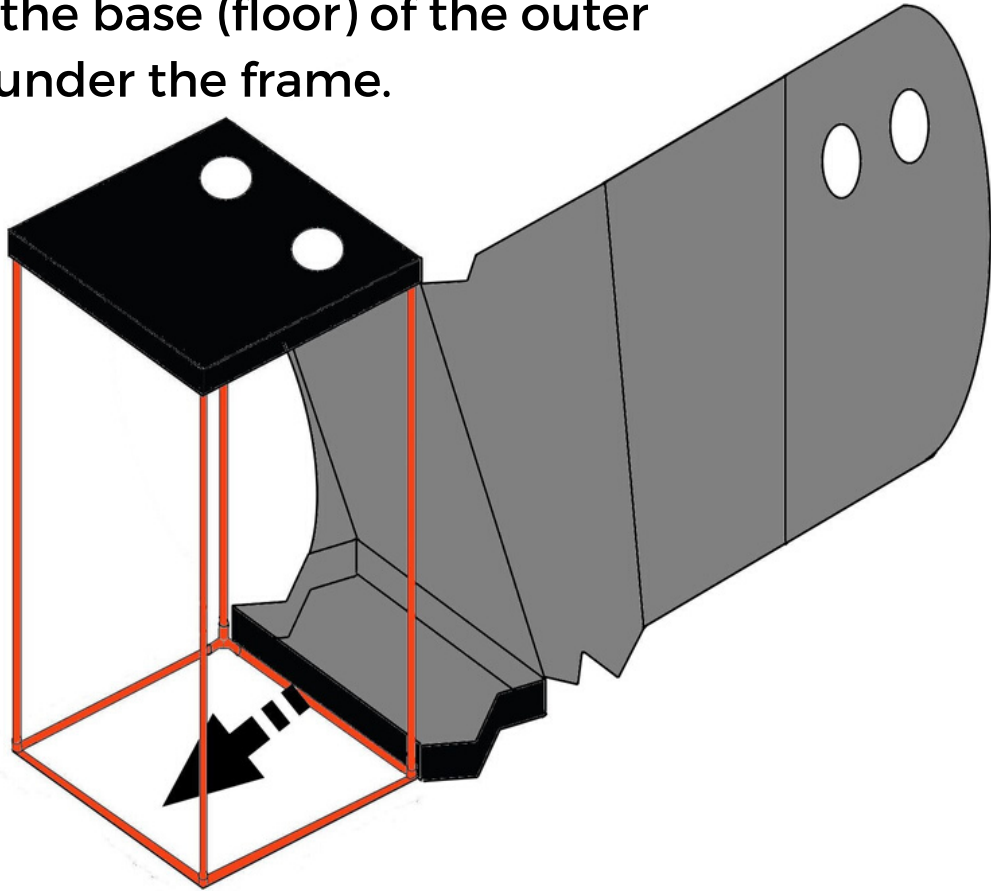
ASSEMBLY INSTRUCTIONS FOR GREEN-QUBE 80

1 Assemble frame using the letters on each pole.

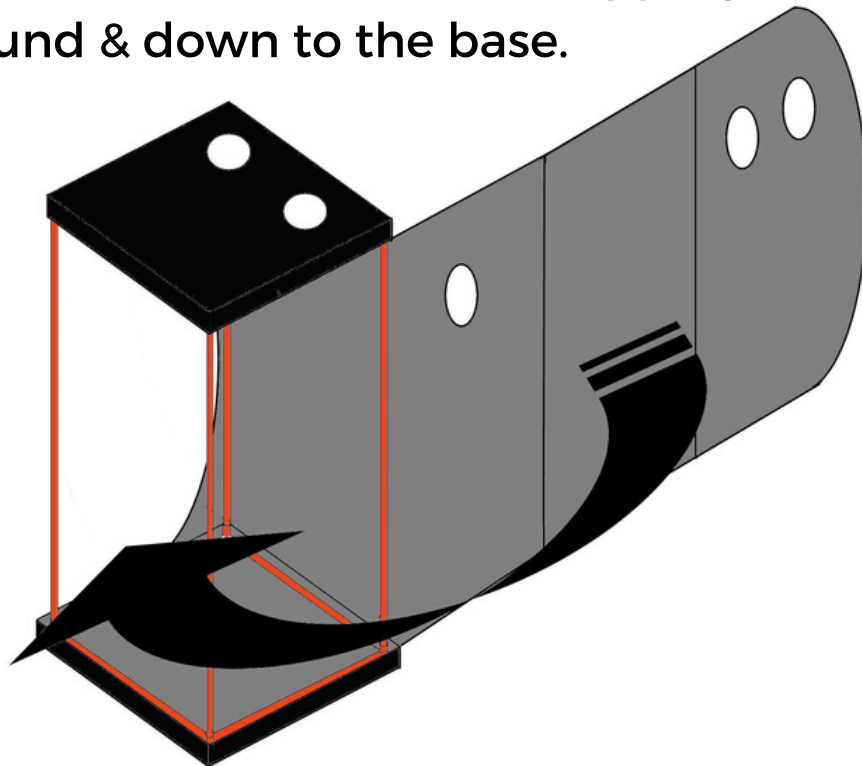


2 Lay outer shell flat, then lift & slide the top of the frame.

- 3** Slide the base (floor) of the outer shell under the frame.



- 4** Wrap outer shell around frame, zipping from the top, around & down to the base.



- 5** Insert the spill tray and secure with velcro ties.
And don't forget to insert the metal pins into the LightSaver® vents - see back cover for more info.

GREEN-QUBE 80

0.8M X 0.8M X 1.8M

GQ80

THE KIT

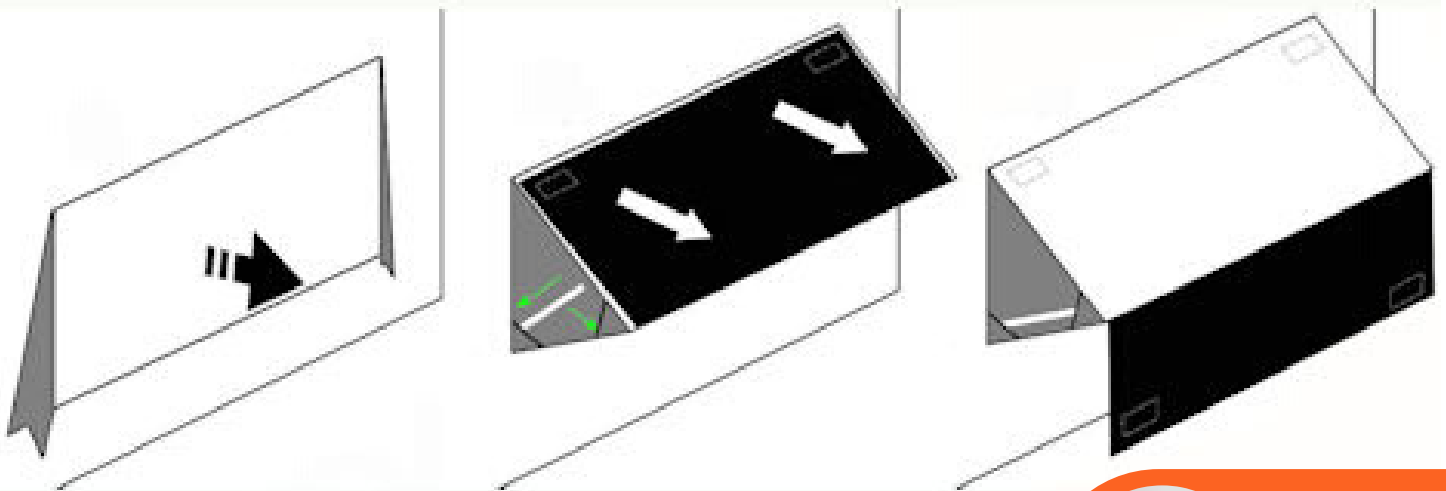
COMPONENT	QTY
6 Poles	8
7 Poles	4
8 Poles	4

COMPONENT	QTY
9 Poles	2
10 Poles	1
Corners [3-way]	8

THE LIGHTSAVER®

Decrease the amount of light glare into your room and increase your tent's invisibility with the LightSaver®.

Here's how to set it up:



**METAL
PINS**



WWW.GREEN-QUBE.COM

