

# Quick-Qube

2m x 3m

QQ2030



Green  
Qube

LED  
Qube



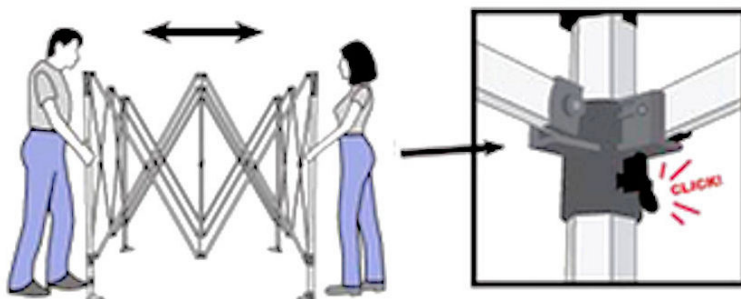
Subscribe for your chance to **WIN!** [www.green-qube.com/sign-up](http://www.green-qube.com/sign-up)

Find us on



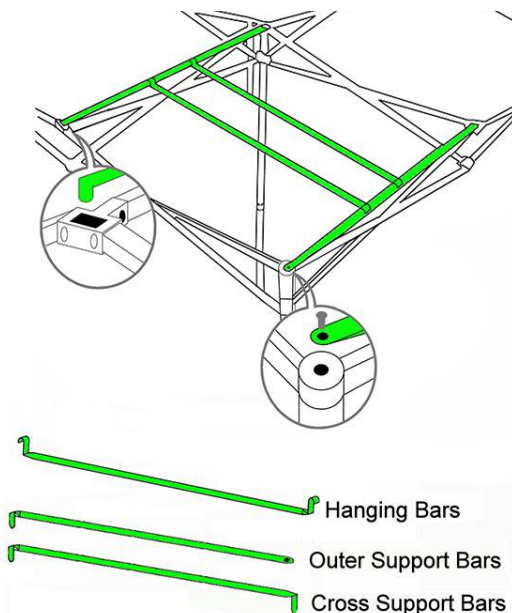
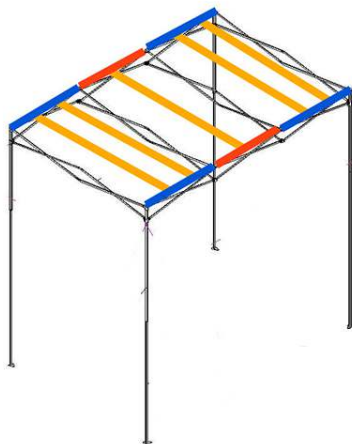
[WWW.GREEN-QUBE.COM](http://WWW.GREEN-QUBE.COM)

- 1** Drag the frame outwards so it is fully extended and you hear a 'click'.



- 2** Next add the top hanging bars, you will have a combination of:

- 5 Hanging Bars
- 2 Cross Support Bars
- 4 Outer Support Bars



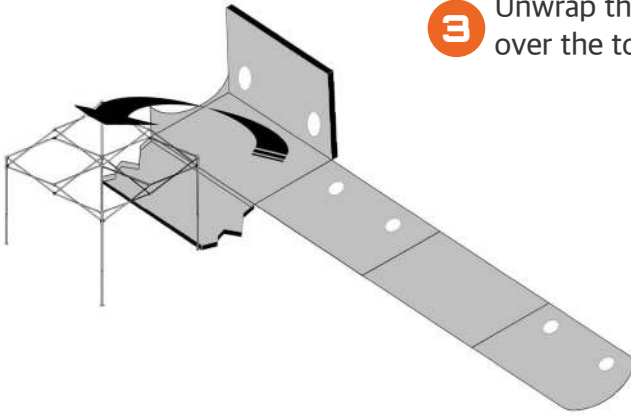
For each Outer Support Pole insert the crook end into the central slot.

Then match the hole at the other end of the Outer Support Pole to the hole in the corner of the frame.

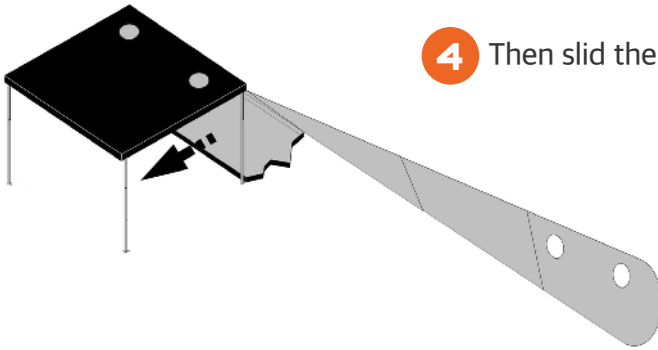
Grab a screw driver and use one of the screws to fix into place.

Next take the 2 Cross Support Poles and slot each of the crooks into the central and side slots. Finally add the hanging bars in position.

- 3** Unwrap the outer shell and place the roof over the top of the frame.



- 4** Then slid the base under the frame.

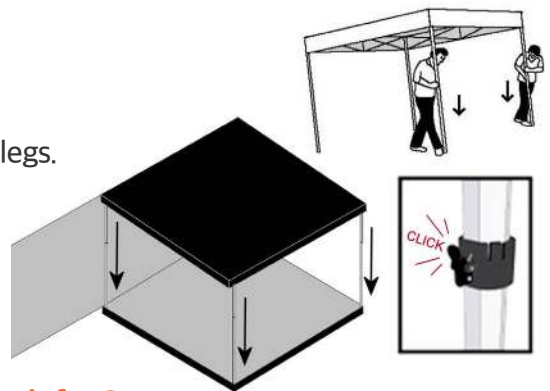


- 5** Select one leg and extend it downwards by pulling the green ring out and pushing the upper frame leg up. Just extend to the first notch to start with.

After one leg is done,  
select the diagonal leg and repeat.

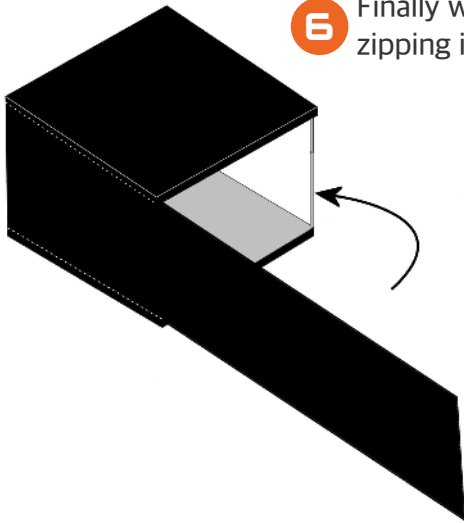
Then continue with the remaining two legs.

You can then raise the legs up  
to the full height by revisiting each leg  
and extending the legs up further.



**Click to the 4th notch  
for the full 2.2m height or the 3rd notch for 2m.**

**TIP:** If you have a helper then follow the above, each taking a diagonal leg  
and extending at the same time.



- 6** Finally wrap the outer shell around the frame, zipping it together as you go.

You are now finished!



Why not watch our Assembly Video?

Visit [www.green-qube.com/videos](http://www.green-qube.com/videos)

## LightSaver®

Decrease the amount of light glare into your room and increase your tent's invisibility with the LightSaver®.

Locate the set of white or metal small rods & insert into triangular pockets both sides of each of the vent flaps:

