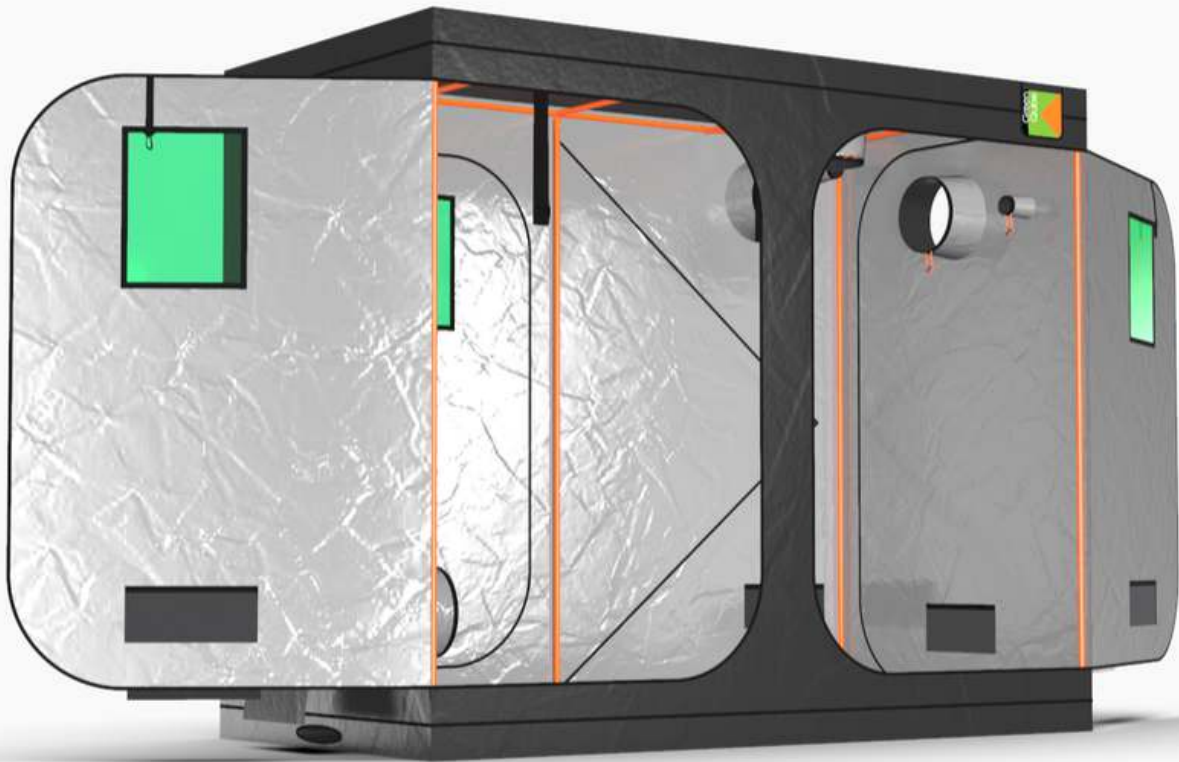


# GREEN-QUBE 1224

GQ1224

1.2M X 2.4M X 2M



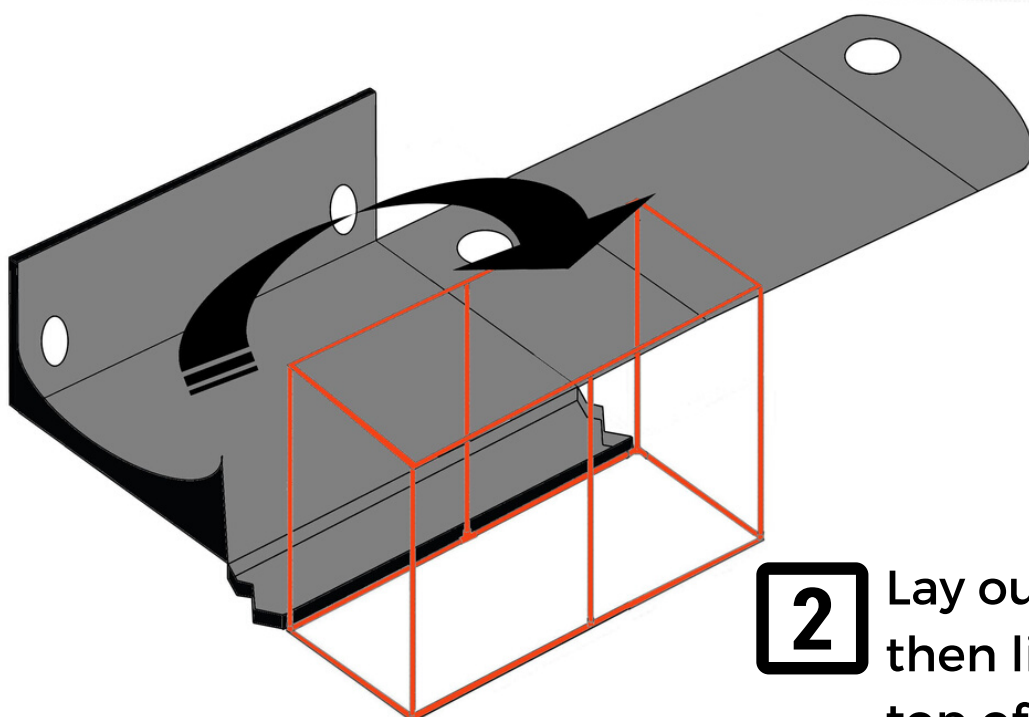
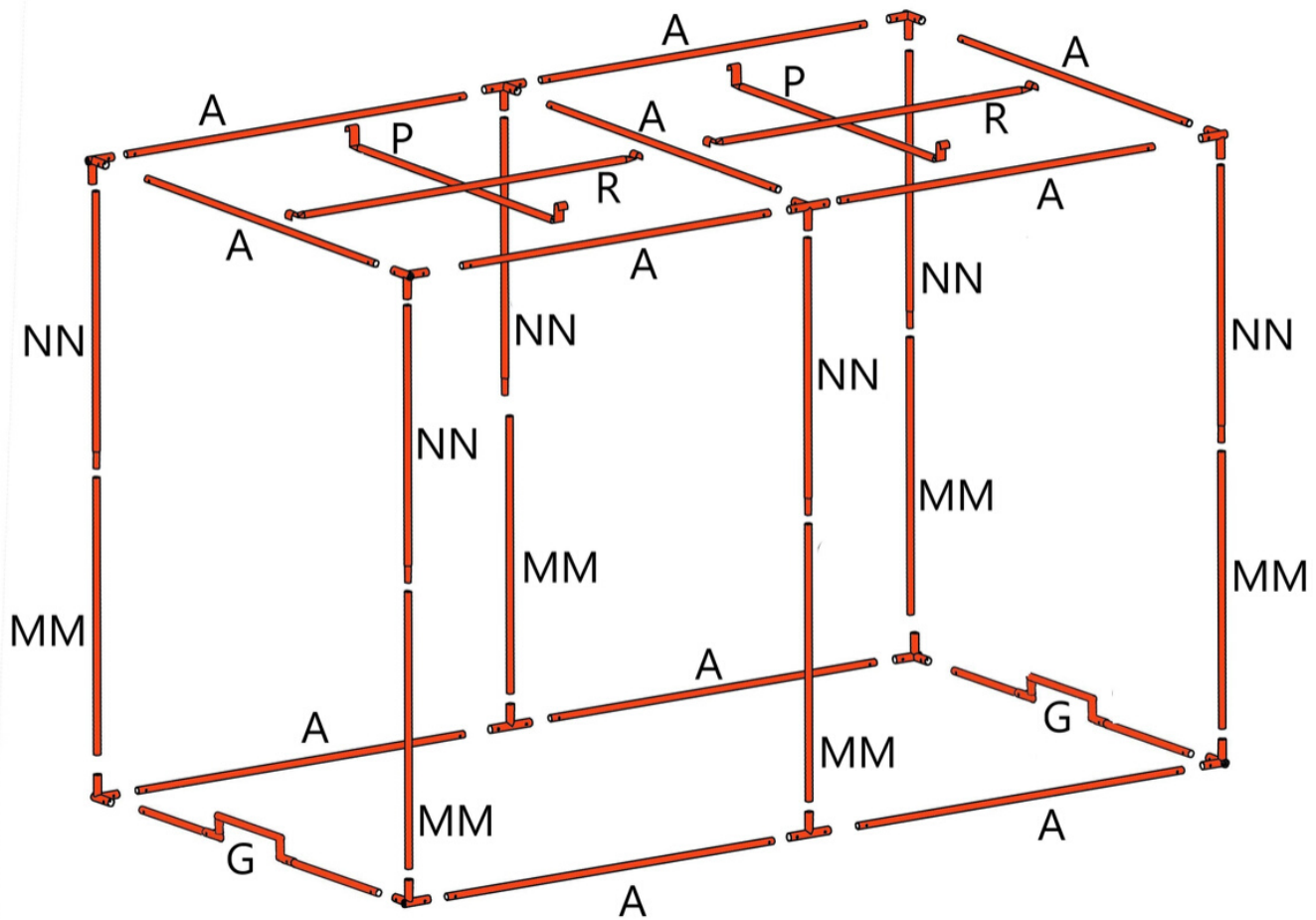
## ASSEMBLY INSTRUCTIONS



[WWW.GREEN-QUBE.COM](http://WWW.GREEN-QUBE.COM)

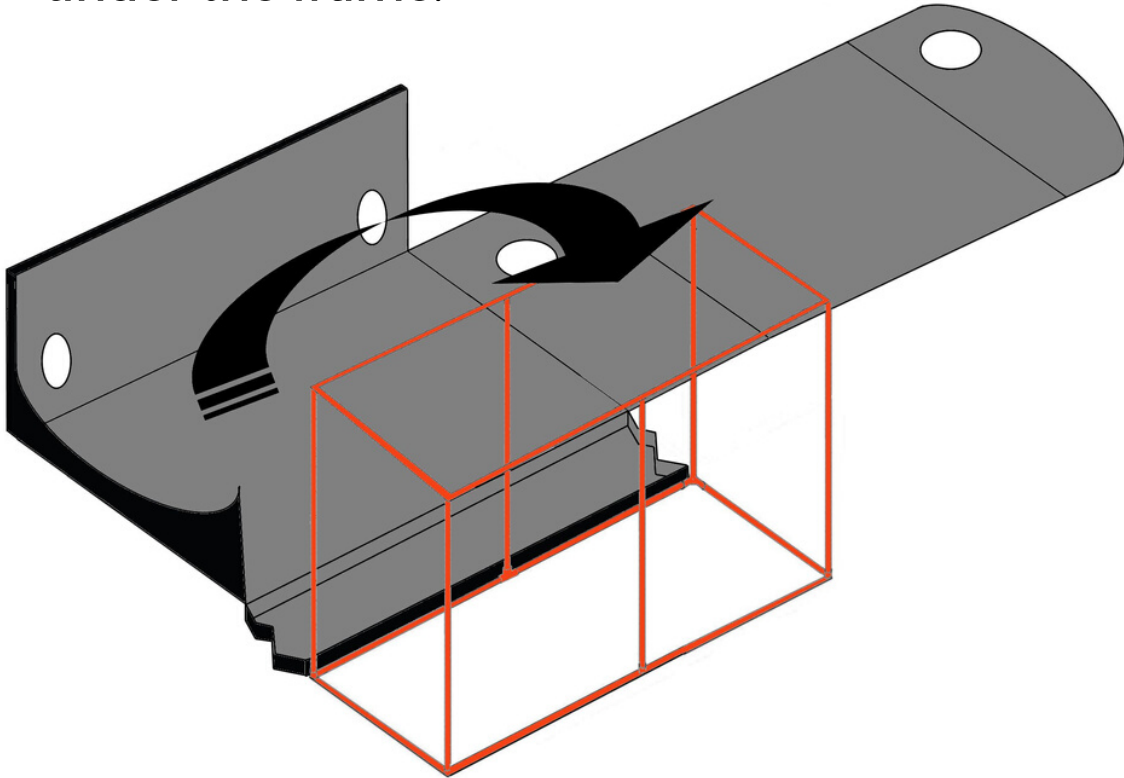
# ASSEMBLY INSTRUCTIONS FOR GREEN-QUBE 1224

**1** Assemble frame using the letters on each pole.

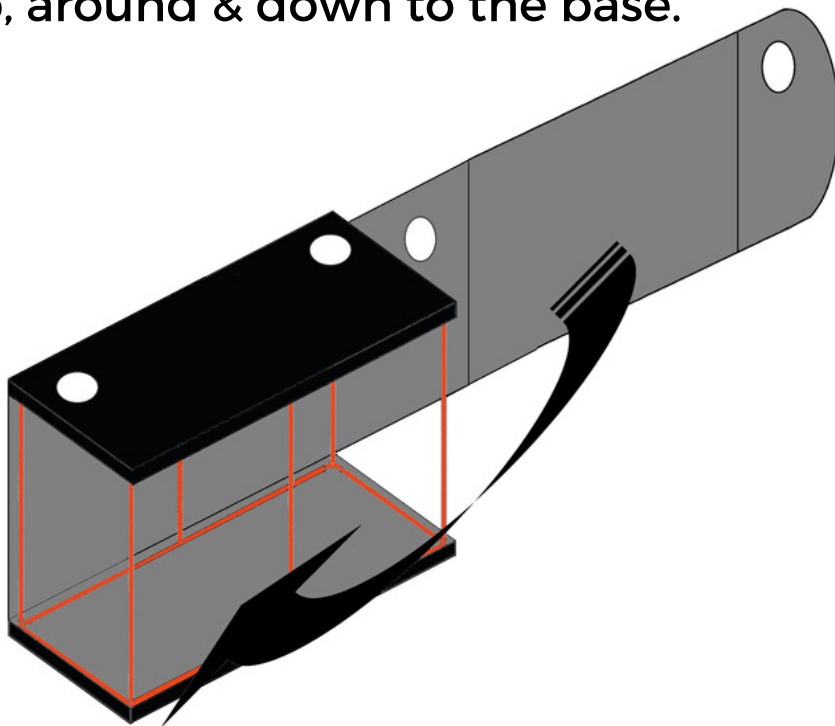


**2** Lay outer shell flat, then lift & slide the top of the frame.

- 3** Slide the base (floor) of the outer shell under the frame.



- 4** Wrap outer shell around frame, zipping from the top, around & down to the base.



- 5** Insert the spill tray and secure with velcro ties.

And don't forget to insert the metal pins into the LightSaver® vents - see back cover for more info.

# GREEN-QUBE 1224

1.2M X 2.4M X 2M

GQ1224

## THE KIT

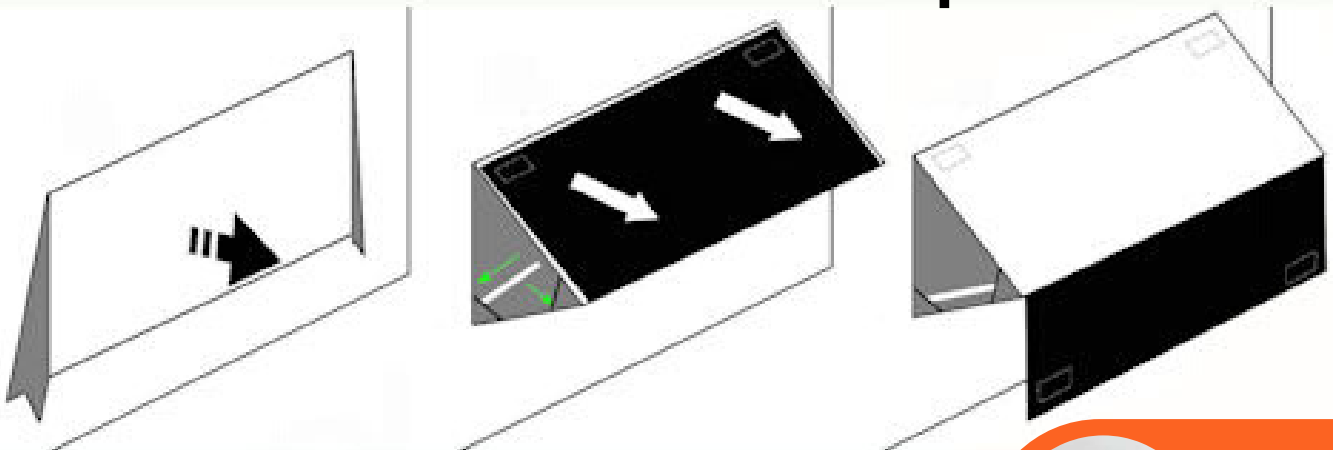
COMPONENT	QTY
A Poles	10
G Uplift Bars	2
MM Poles	6
NN Poles	6
P Poles	2

COMPONENT	QTY
R Poles	2
Corners [3-way]	8
4-way Connectors	2
T Connectors	2
Spill Try	1

## THE LIGHTSAVER®

Decrease the amount of light glare into your room and increase your tent's invisibility with the LightSaver®.

**Here's how to set it up:**



**METAL  
PINS**



[WWW.GREEN-QUBE.COM](http://WWW.GREEN-QUBE.COM)

