

# GREEN-QUBE 150

GQ150

1.5M X 1.5M X 2M



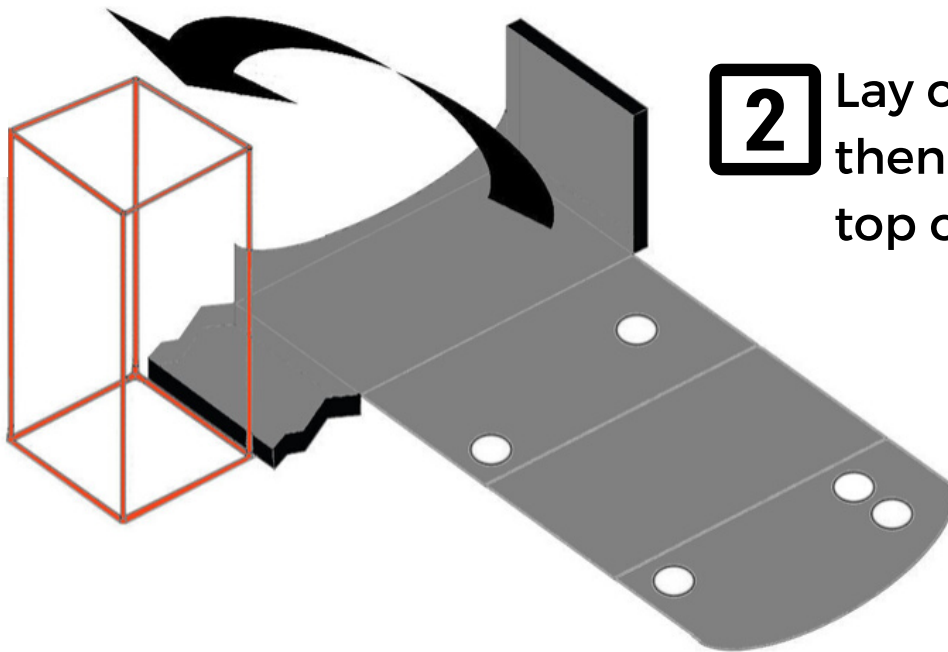
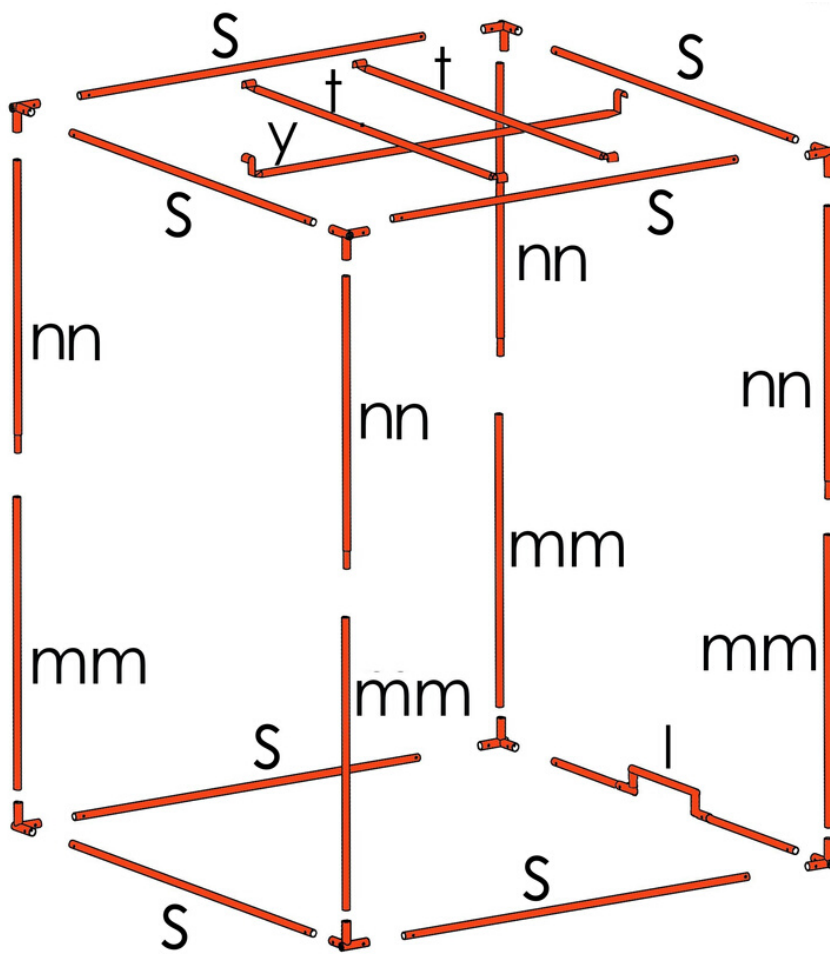
## ASSEMBLY INSTRUCTIONS



[WWW.GREEN-QUBE.COM](http://WWW.GREEN-QUBE.COM)

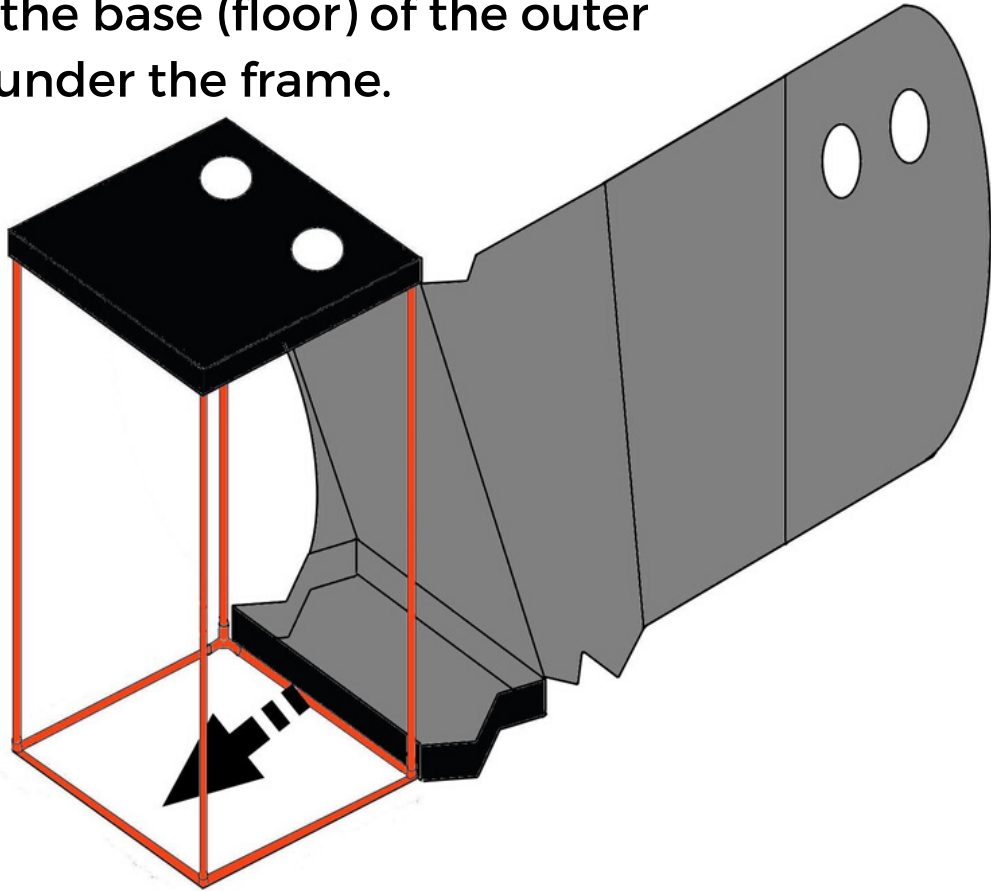
# ASSEMBLY INSTRUCTIONS FOR GREEN-QUBE 150L

**1** Assemble frame using the letters on each pole.

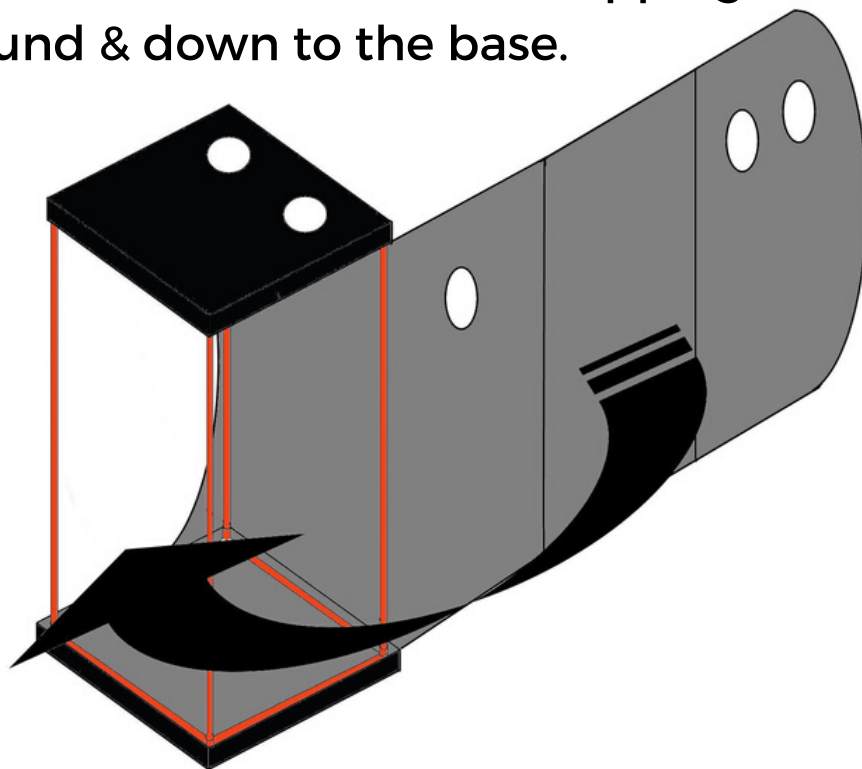


**2** Lay outer shell flat, then lift & slide the top of the frame.

- 3** Slide the base (floor) of the outer shell under the frame.



- 4** Wrap outer shell around frame, zipping from the top, around & down to the base.



- 5** Insert the spill tray and secure with velcro ties.  
And don't forget to insert the metal pins into the LightSaver® vents - see back cover for more info.

# GREEN-QUBE 150

1.5M X 1.5M X 2M

GQ150

## THE KIT

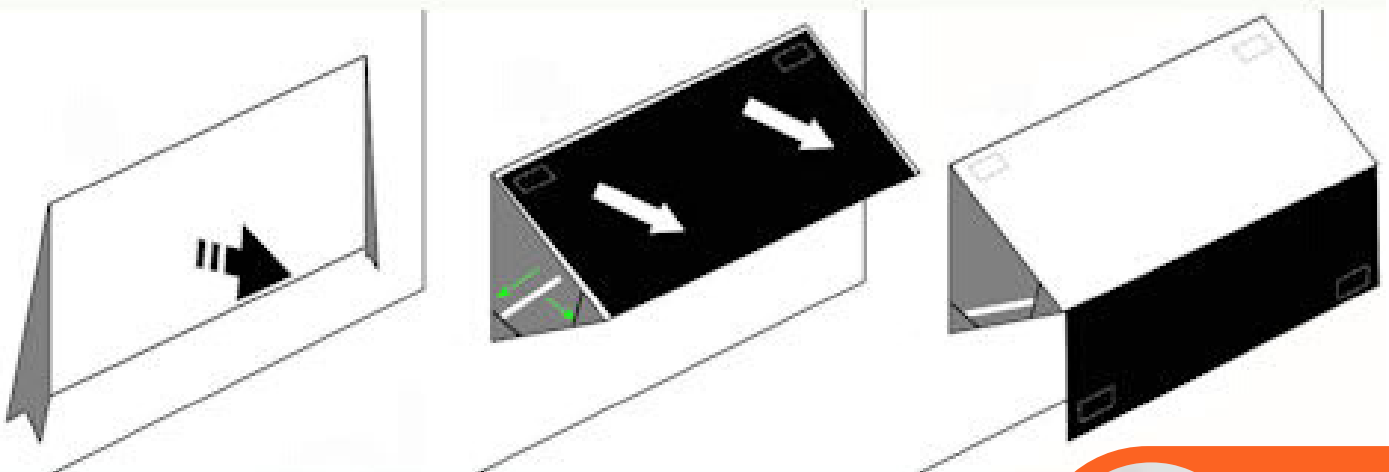
COMPONENT	QTY
L Uplift Bar	1
MM Poles	4
NN Poles	4
S Poles	7

COMPONENT	QTY
T Hanging Bars	2
Y Hanging Bars	1
Corners [3-way]	8
Spill Try	1

## THE LIGHTSAVER®

Decrease the amount of light glare into your room and increase your tent's invisibility with the LightSaver®.

**Here's how to set it up:**



**METAL  
PINS**



[WWW.GREEN-QUBE.COM](http://WWW.GREEN-QUBE.COM)

