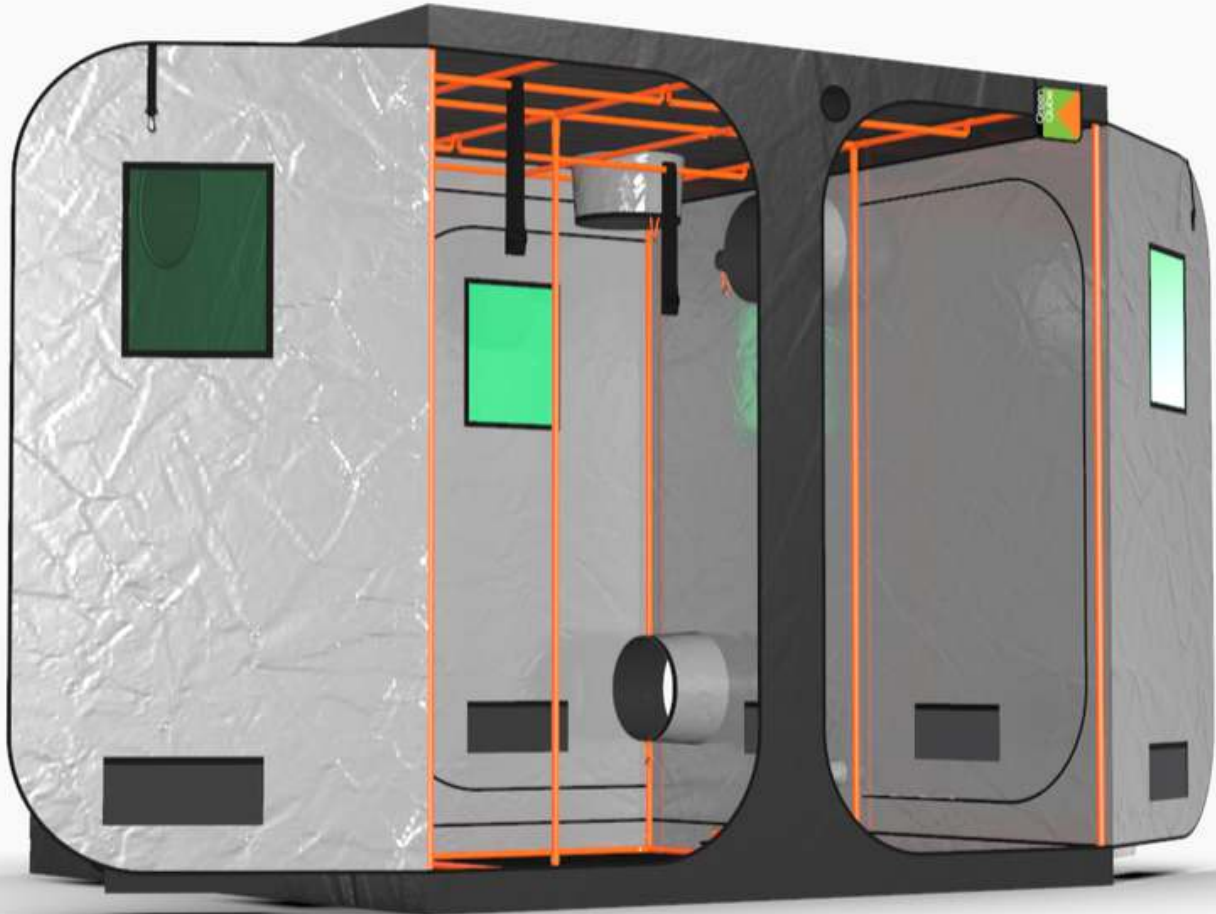


GREEN-QUBE 200

GQ200

2MX 2M X 2M



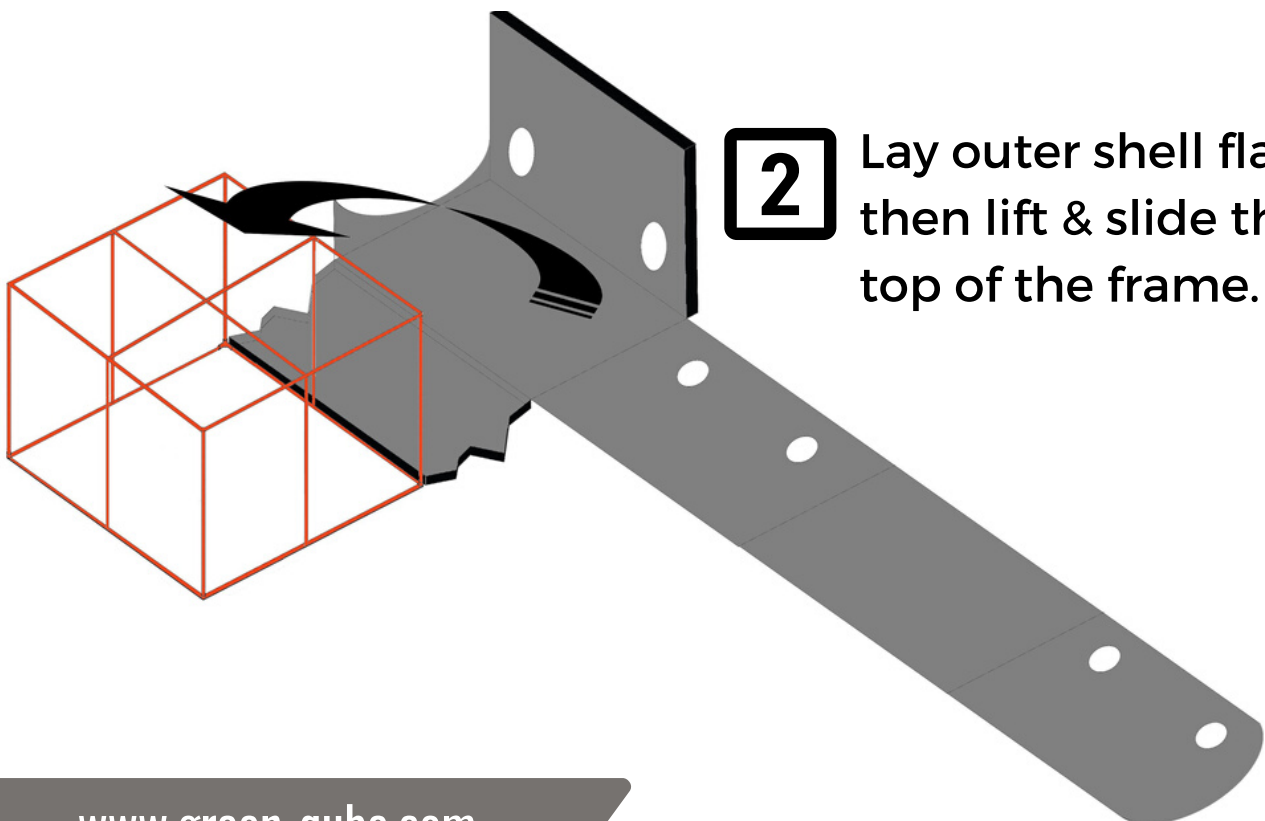
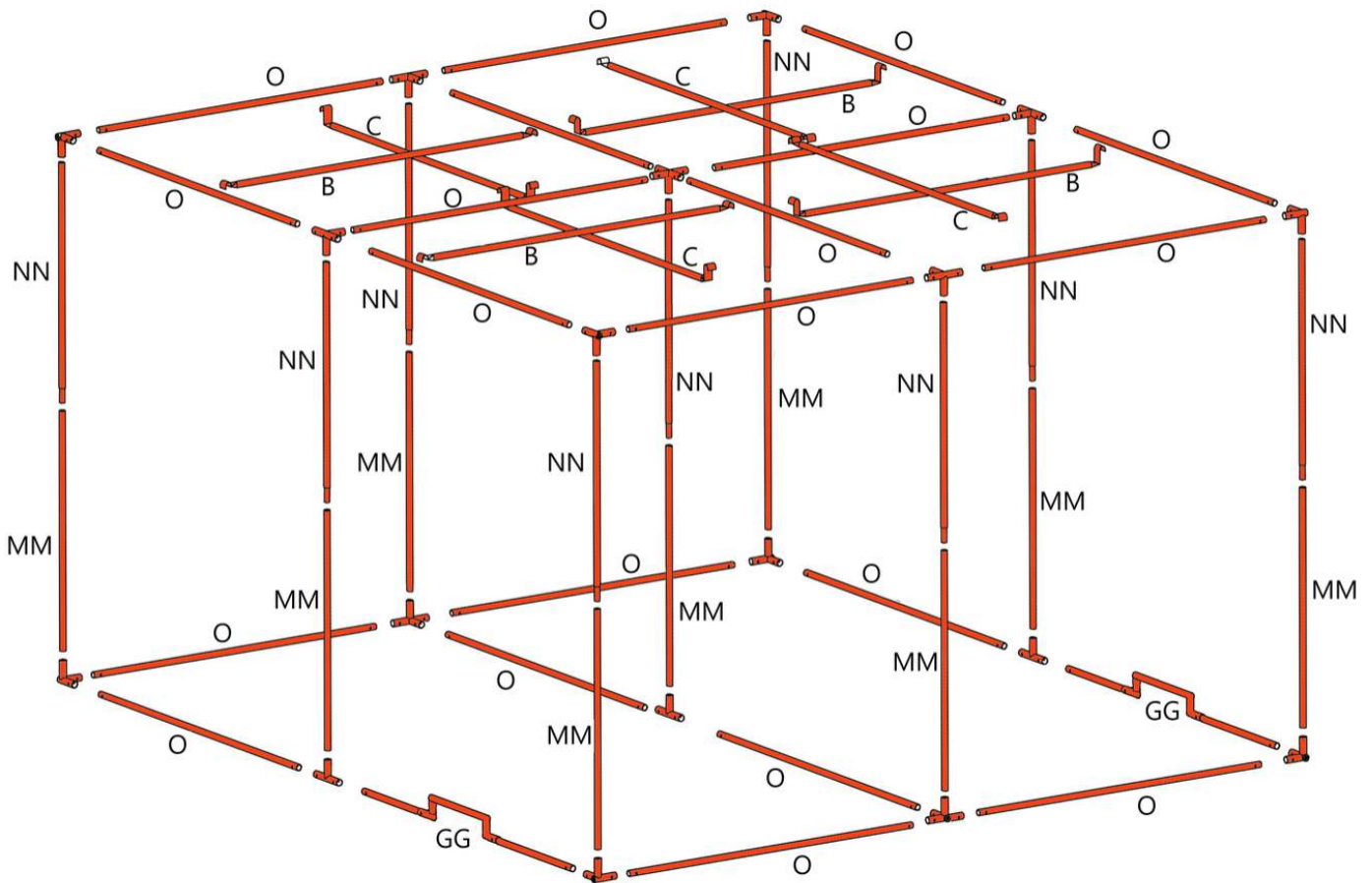
ASSEMBLY INSTRUCTIONS



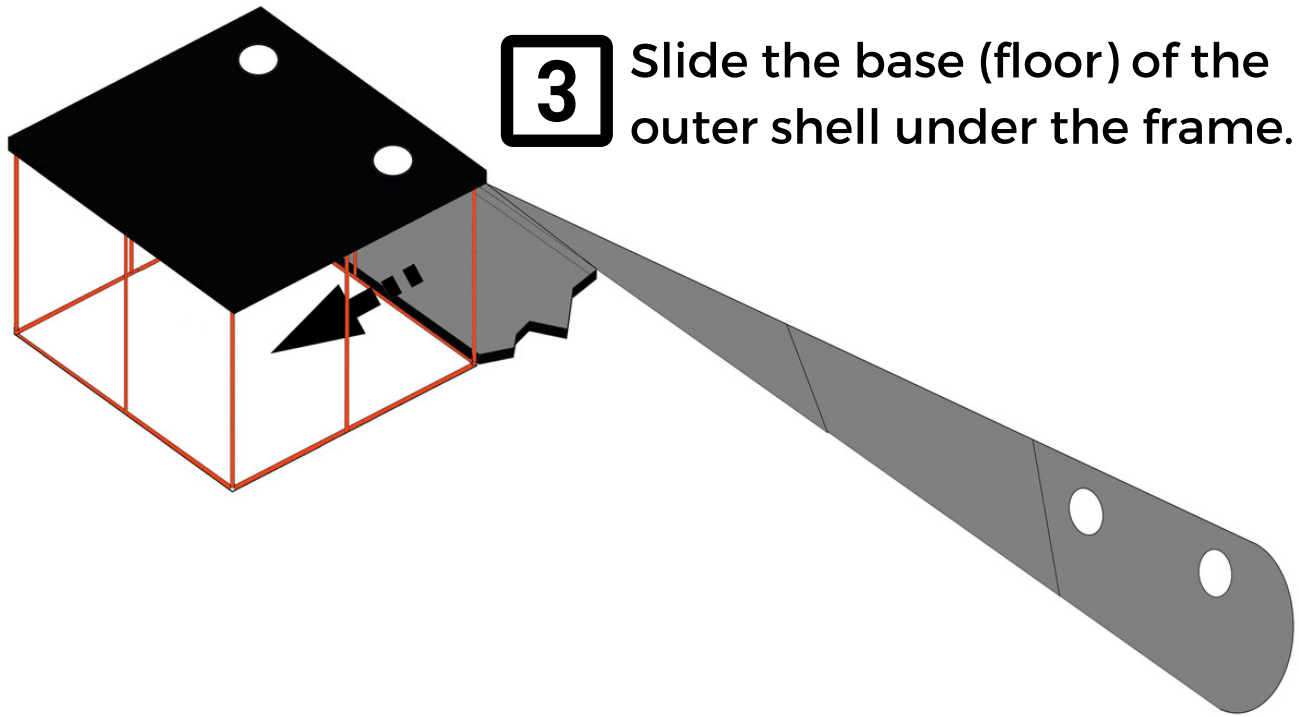
WWW.GREEN-QUBE.COM

ASSEMBLY INSTRUCTIONS FOR GREEN-QUBE 200

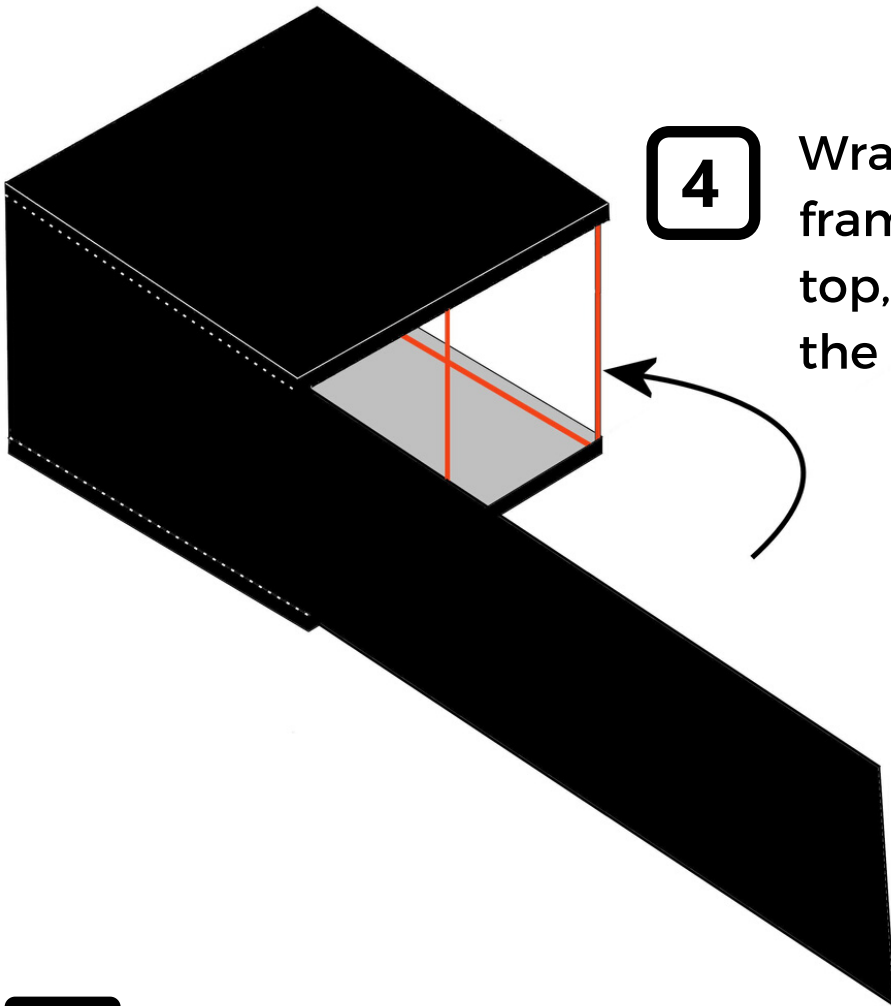
1 Assemble frame using the letters on each pole.



2 Lay outer shell flat, then lift & slide the top of the frame.



3 Slide the base (floor) of the outer shell under the frame.



4 Wrap outer shell around frame, zipping from the top, around & down to the base.

5 Insert the spill tray and secure with velcro ties.

And don't forget to insert the metal pins into the LightSaver® vents - see back cover for more info.

GREEN-QUBE 200

2M X 2M X 2M

GQ200

THE KIT

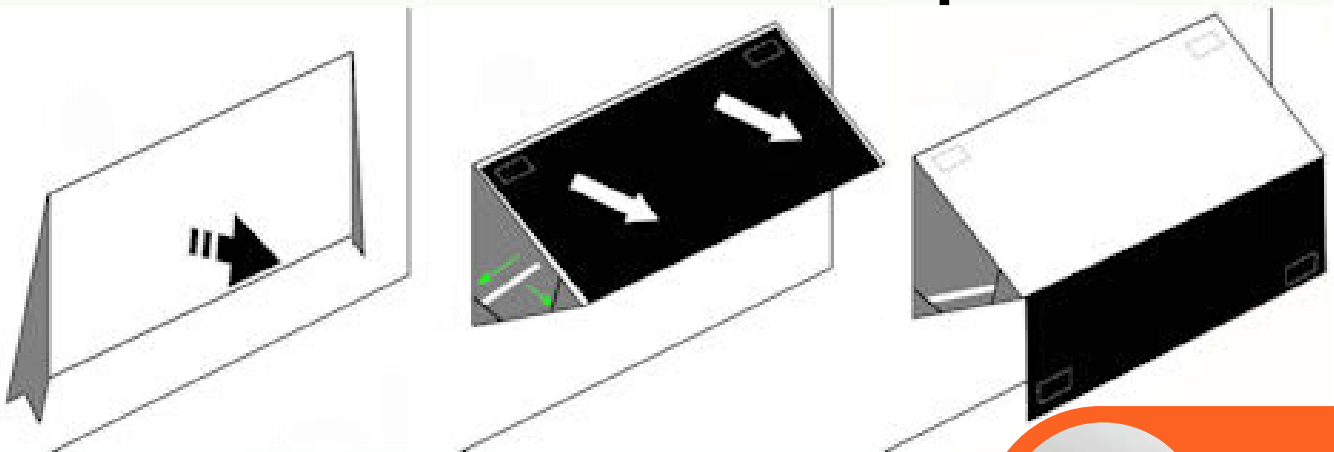
COMPONENT	QTY
B Poles	4
C Poles	4
GG Uplift Bar	2
MM Poles	9
NN Poles	9

COMPONENT	QTY
O Poles	20
Corners [3-way]	8
4-way Connectors	6
T Connectors	3
5-way Connectors	1

THE LIGHTSAVER®

Decrease the amount of light glare into your room and increase your tent's invisibility with the LightSaver®.

Here's how to set it up:



**METAL
PINS**



WWW.GREEN-QUBE.COM

