

GREEN-QUBE 300

GQ300

3MX 3M X 2M



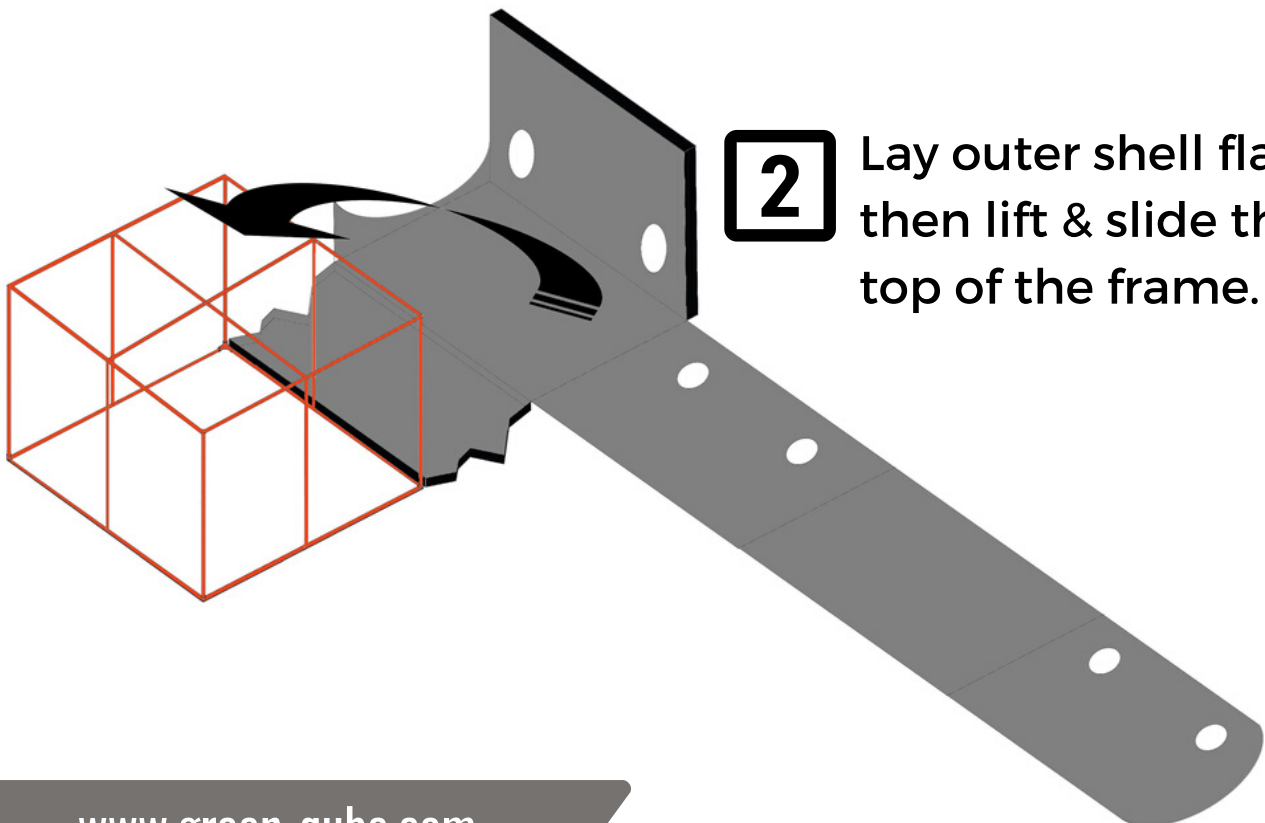
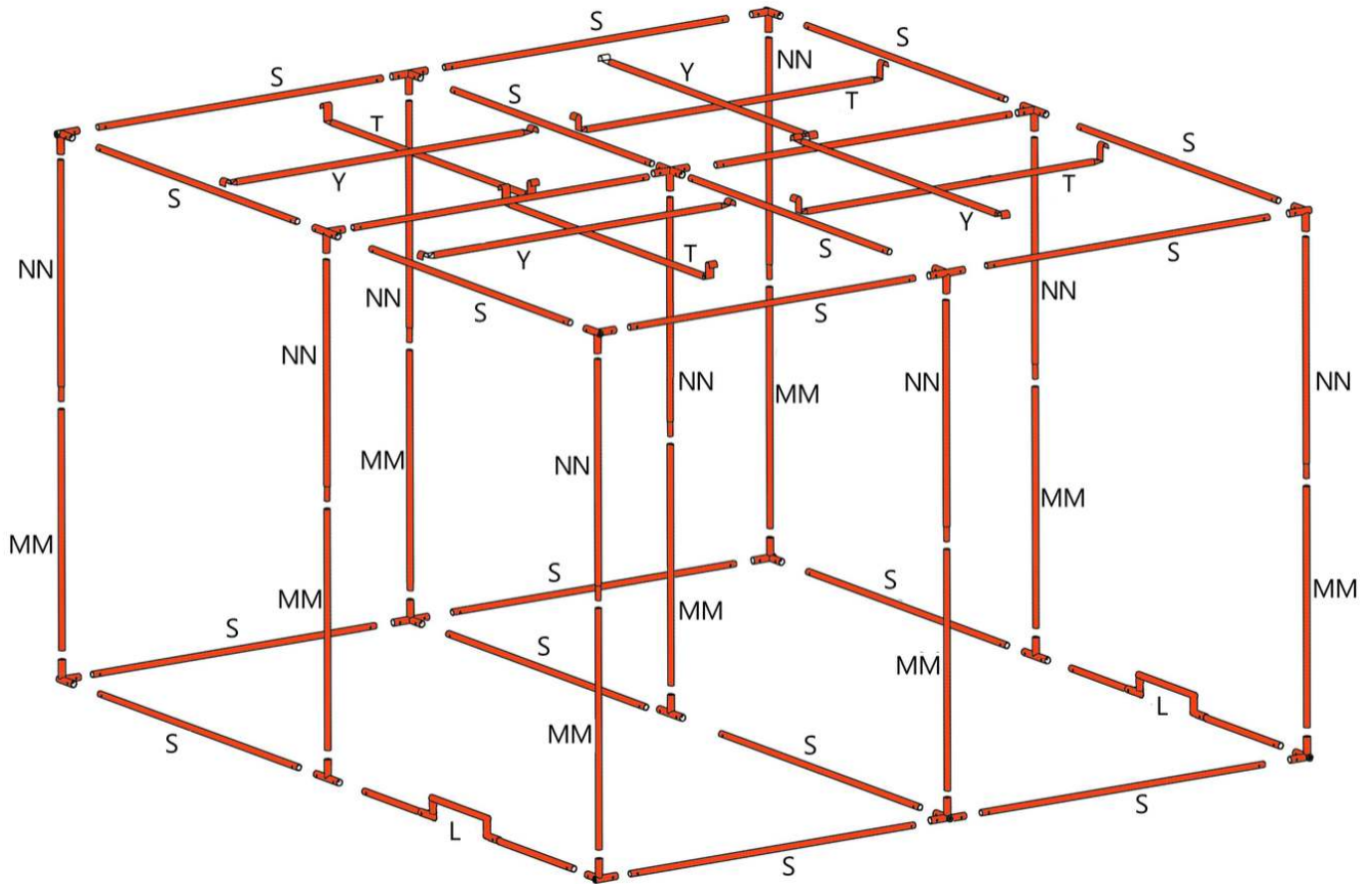
ASSEMBLY INSTRUCTIONS



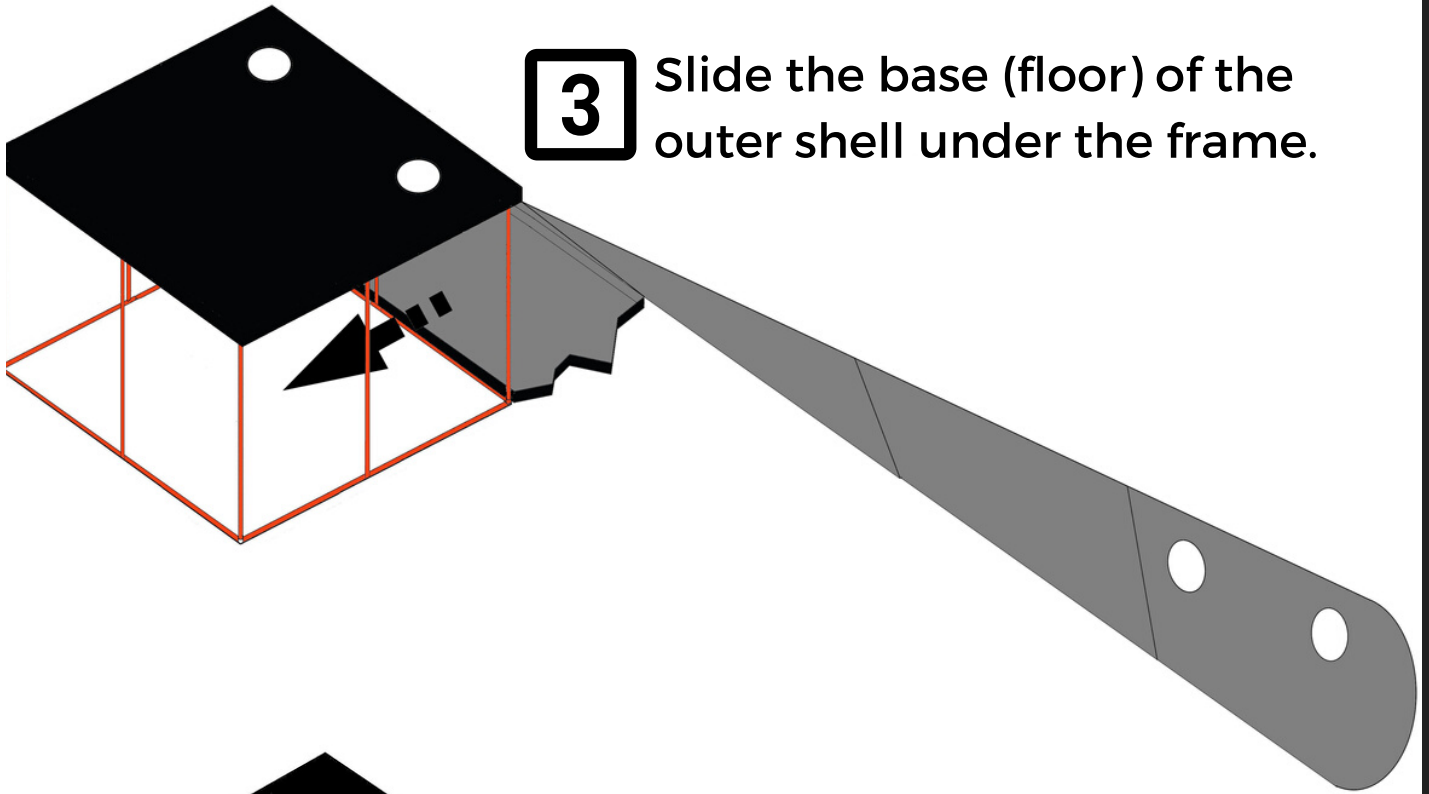
WWW.GREEN-QUBE.COM

ASSEMBLY INSTRUCTIONS FOR GREEN-QUBE 300

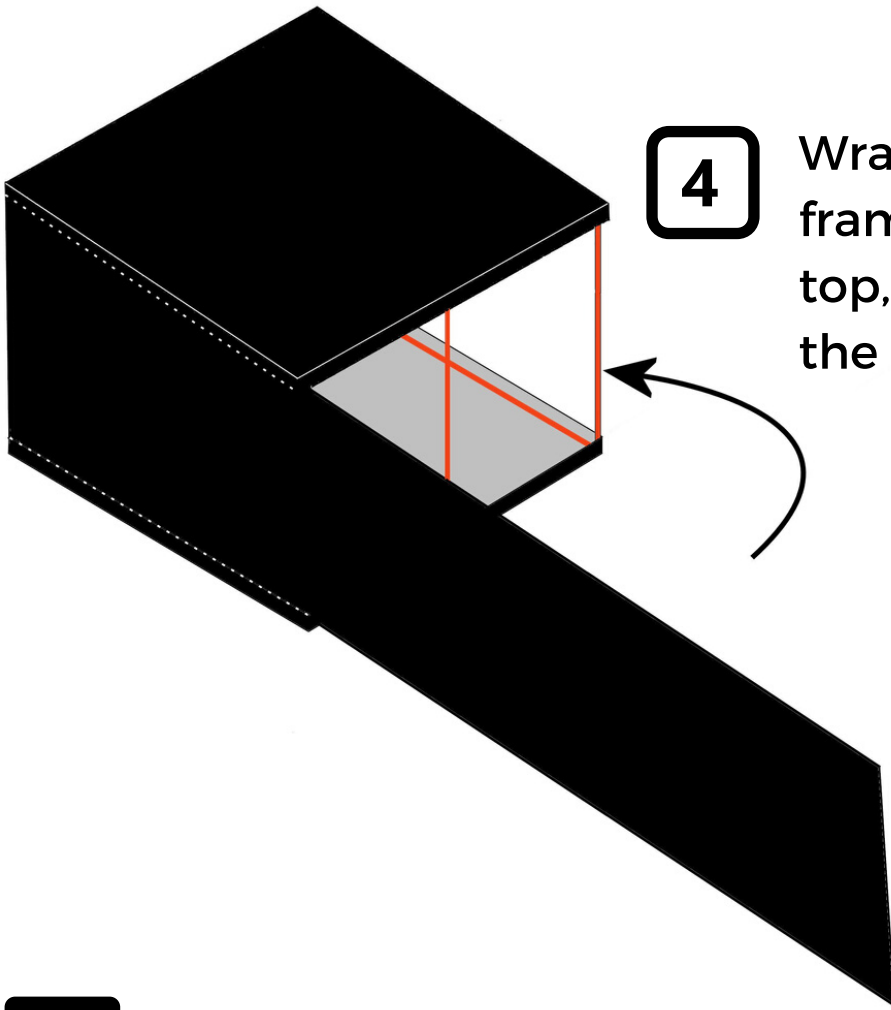
1 Assemble frame using the letters on each pole.



2 Lay outer shell flat, then lift & slide the top of the frame.



3 Slide the base (floor) of the outer shell under the frame.



4 Wrap outer shell around frame, zipping from the top, around & down to the base.

5 Insert the spill tray and secure with velcro ties.

And don't forget to insert the metal pins into the LightSaver® vents - see back cover for more info.

GREEN-QUBE 300

3M X 3M X 2M

GQ300

THE KIT

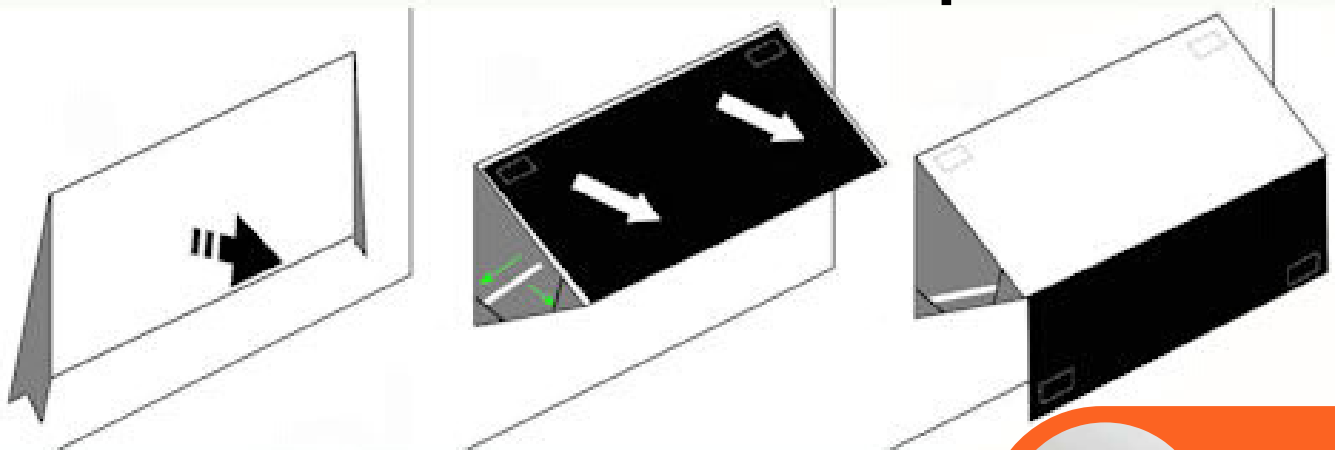
COMPONENT	QTY
L Uplift Poles	2
MM Poles	9
NN Poles	9
S Poles	20
T Hanging Poles	4
Y Hanging Bars	4

COMPONENT	QTY
T Connectors	3
Corners [3-way]	8
4 Way Connectors	6
5 Way Connectors	1
Outer Shell	1
Spill Trays	2

THE LIGHTSAVER®

Decrease the amount of light glare into your room and increase your tent's invisibility with the LightSaver®.

Here's how to set it up:



**METAL
PINS**



WWW.GREEN-QUBE.COM

